



Data sheet · HiPace™

HiPace™ 1500, with TC 1200, DN 250
ISO-F

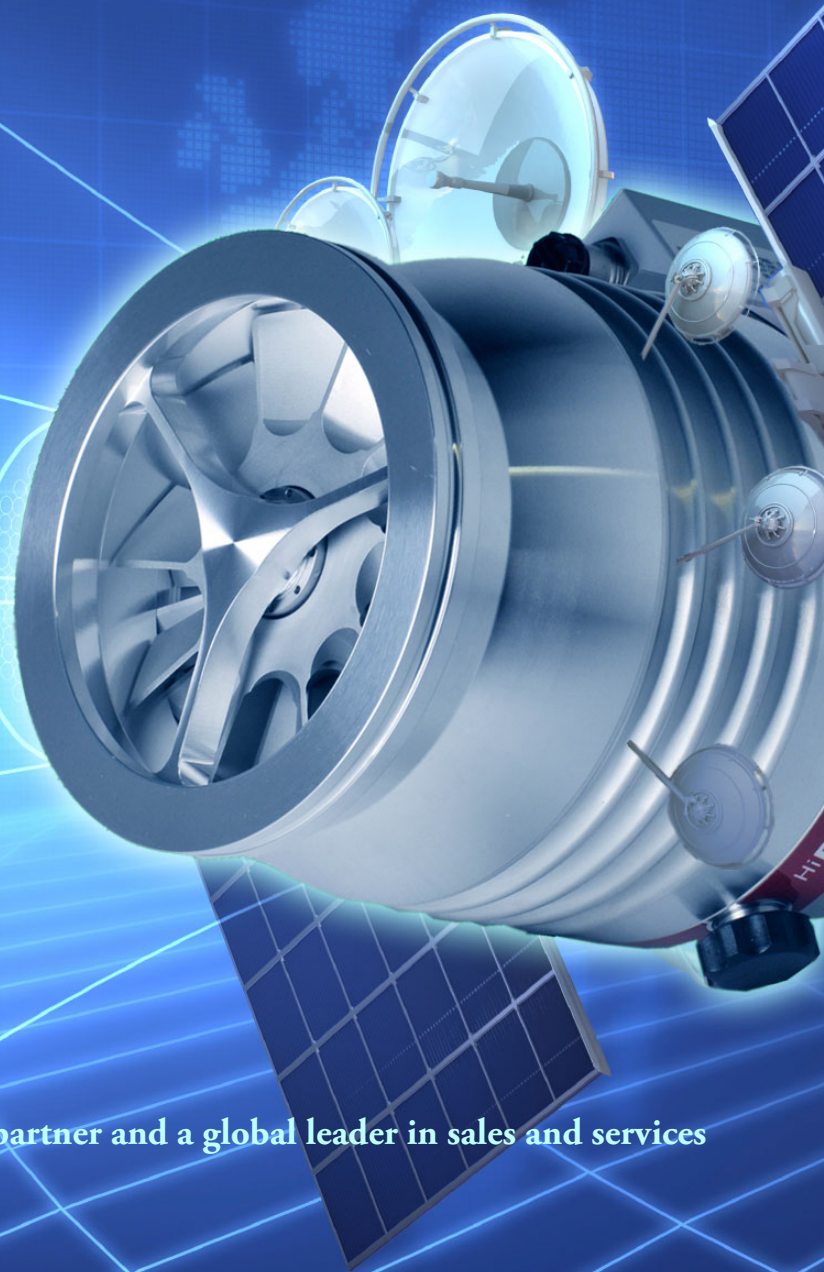
Powerful turbopump with a pumping speed of up to 1450 l/s

1.855.882.2886



AJVS

www.ajvs.com



A&J Vacuum Services is your highly qualified partner and a global leader in sales and services of your High Vacuum equipment.

A&J Vacuum Services, Inc.
790 Bloomfield Ave., Suite B3
Clifton, NJ 07012, USA
Tel: 973-249-0854
Fax: 973-249-0855
Website: www.ajvs.com

Customer Service: info@ajvs.com
Sales Inquiries: sales@ajvs.com
Service Inquiries: service@ajvs.com
Technical Assistance: tech@ajvs.com
Order Status: tracking@ajvs.com

HiPace™ 1500, with TC 1200, DN 250 ISO-F

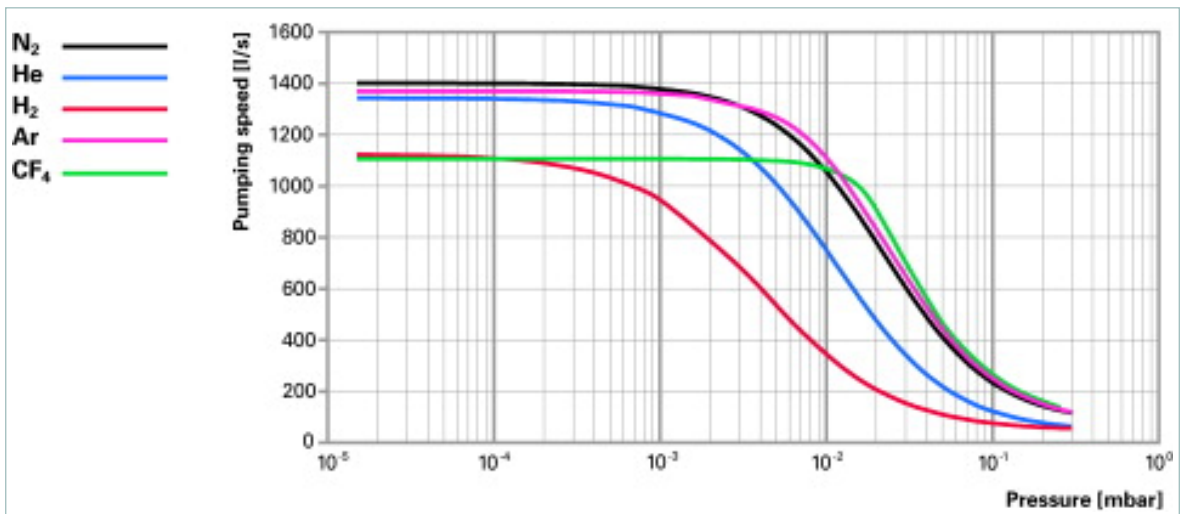
HiPace™ 1500



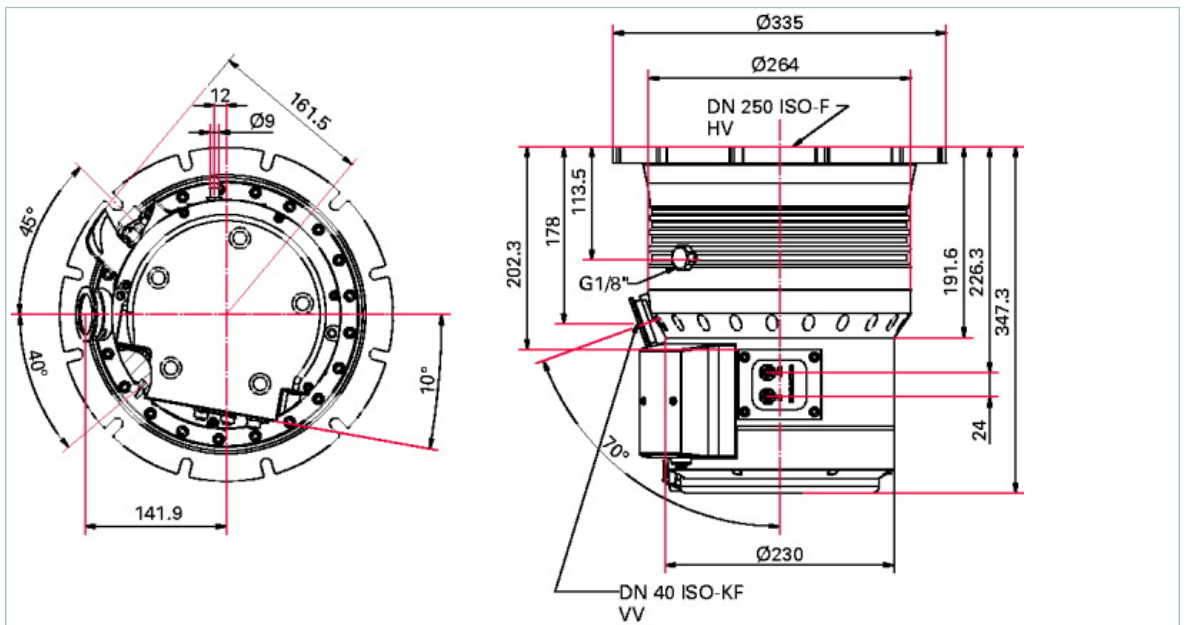
[Similar Image](#)

- Powerful turbopump with a pumping speed of up to 1450 l/s
- DN 250 ISO-F flange
- Integrated TC 1200 drive electronics with power supply
- Cooling: Water cooling
- Integrated sealing gas system with electric sealing gas valve 24 V DC
- Protection Class IP 54

Characteristics



Dimensions



HiPace™ 1500, with TC 1200, DN 250 ISO-F

Technical Data	HiPace™ 1500, with TC 1200, DN 250 ISO-F
Bearing	Hybrid
Compression ratio for Ar	$> 1 \cdot 10^8$
Compression ratio for CF ₄	$> 1 \cdot 10^8$
Compression ratio for H ₂	$6 \cdot 10^3$
Compression ratio for He	$2 \cdot 10^5$
Compression ratio for N ₂	$> 1 \cdot 10^8$
Cooling method, standard	Water
Cooling water consumption	100 l/h
Cooling water temperature	15-35 °C
Corrosive gas version	no
Electronic drive unit	with TC 1200
Flange (in)	DN 250 ISO-F
Flange (out)	DN 40 ISO-KF
Fore vacuum max. for N ₂	2 mbar
Gas throughput at full rotational speed for Ar	11 mbar l/s
Gas throughput at full rotational speed for CF ₄	12 mbar l/s
Gas throughput at full rotational speed for H ₂	> 30 mbar l/s
Gas throughput at full rotational speed for He	> 30 mbar l/s
Gas throughput at full rotational speed for N ₂	20 mbar l/s
Integrated power supply	yes
Interface, extended	no
Interfaces	RS-485, Remote
Low vibrations	no
Mounting orientation	Standard (0°-90°)
Operating voltage	no
Particulate matter	yes
Permissible magnetic field max.	6 mT
Protection category	IP 54
Pumping speed for Ar	1400 l/s
Pumping speed for CF ₄	1100 l/s
Pumping speed for H ₂	1150 l/s
Pumping speed for He	1350 l/s
Pumping speed for N ₂	1450 l/s
Rotation speed ± 2 %	37800 rpm
Run-up time	2.5 min
Separat electronic drive unit	no
Sound pressure level	50 dB (A)
Ultimate pressure with OnTool™ DryPump	$< 1 \cdot 10^{-7}$ mbar
Venting connection	G 1/8"
Weight	30 kg

HiPace™ 1500, with TC 1200, DN 250 ISO-F

Order number	PMP04061
Backing pump control	
Backing pump relay box, single phase 20 A, for TC 400/1200, TCP 350 and TM 3000	PM061375-T
Backing pump relay box, single phase 5 A, for TC 400/1200 and TM 3000	PM061374-T
TVV 001 fore-vacuum safety valve, 115 V AC	PMZ01206
TVV 001 fore-vacuum safety valve, 230 V AC	PMZ01205
General accessories	
Centering ring, with multifunction coating, DN 250 ISO-K/-F	PM016225-U
Centering ring, with multifunction coating and integrated protection screen, DN 250 ISO-K/-F	PM016227-U
Centering ring, with multifunction coating and integrated splinter shield, DN 250 ISO-K/-F	PM016226-U
Connection cable, plug M12, RJ 45, 3 m	PM051726-T
Interface cable, 3 m, M12	PM061283-T
Interface cable, 3 m, M12, straight, 90°	PM061791-T
Remote adapter for RS-485	PM061649-T
Remote plug for TC 400/1200, with bridges	PM061378-X
Sealing gas throttle for HiPace 1200-2300	PMZ01318
Sealing gas valve for HiPace 1200-2300 with TC 1200	PMZ01313
USB converter to RS-485 interface	PM061207-T
Y-Connector M12 for accessories	P4723012
Y-Connector M12 to RS-485	P4723010
Mains cables and connection cables	
208 V AC mains cable with UL plug, NEMA-HAN 3A, 3 m	P4564309HB
Mains cable 230 V AC, with Euro-style safety plug, VII-HAN 3A, 3 m	P4564309HA

HiPace™ 1500, with TC 1200, DN 250 ISO-F

Mounting materials

Mounting kit for HiPace 1500, HiPace 2300 and HiPace 2400 MC, DN 250 ISO-F, including coated centering ring, hexagon screws	PM016480-T
Mounting kit for HiPace 1500, HiPace 2300 and HiPace 2400 MC, DN 250 ISO-F, including coated centering ring, protection screen, hexagon screws	PM016482-T
Mounting kit for HiPace 1500, HiPace 2300 and HiPace 2400 MC, DN 250 ISO-F, including coated centering ring, protection screen, stud screws	PM016487-T
Mounting kit for HiPace 1500, HiPace 2300 and HiPace 2400 MC, DN 250 ISO-F, including coated centering ring, splinter shield, hexagon screws	PM016481-T
Mounting kit for HiPace 1500, HiPace 2300 and HiPace 2400 MC, DN 250 ISO-F, including coated centering ring, splinter shield, stud screws	PM016486-T
Mounting kit for HiPace 1500, HiPace 2300 and HiPace 2400 MC, DN 250 ISO-F, including coated centering ring, stud screws	PM016485-T

Plugs and connectors

Mains supply socket	PM061200-T
---------------------	-------------------

Power supplies, control displays and drive units

Accessories package for HPU - Power supply, software and PC cable	PM061005-T
DCU 002, Display control unit	PM061348-T
HPU 001, handheld programming unit	PM051510-T

Venting accessories

TTV 001, air drier for venting turbopumps	PMZ00121
Venting valve, 24 V DC, G 1/8", for connection to TC 400/1200	PMZ01291

**Leading. Dependable.
Customer Friendly.**

Pfeiffer Vacuum stands for innovative and custom vacuum solutions worldwide, for German engineering art, competent advice and reliable service.

As the inventor of the turbopump, we have always been consistently setting standards in our industry and this claim to leadership will continue to drive us in the future.

**Are you looking for a
perfect vacuum solution?
Please contact us:**

Germany

Pfeiffer Vacuum GmbH
Headquarters
Phone: +49 (0) 6441 802-0
info@pfeiffer-vacuum.de

Benelux

Pfeiffer Vacuum GmbH
Sales & Service Benelux
Phone: +800-pfeiffer
benelux@pfeiffer-vacuum.de

China

Pfeiffer Vacuum
(Shanghai) Co., Ltd.
Phone: +86 21 3393 3940
info@pfeiffer-vacuum.cn

France

Pfeiffer Vacuum France SAS
Phone: +33 169 30 92 82
info@pfeiffer-vacuum.fr

Great Britain

Pfeiffer Vacuum Ltd.
Phone: +44 1908 500600
sales@pfeiffer-vacuum.co.uk

India

Pfeiffer Vacuum India Ltd.
Phone: +91 40 2775 0014
pfeiffer@vsnl.net

Italy

Pfeiffer Vacuum Italia S.p.A.
Phone: +39 02 93 99 05 1
contact@pfeiffer-vacuum.it

Korea

Pfeiffer Vacuum Korea Ltd.
Phone: +82 31 266 0741
sales@pfeiffer-vacuum.co.kr

Austria

Pfeiffer Vacuum Austria GmbH
Phone: +43 1 894 17 04
office@pfeiffer-vacuum.at

Sweden

Pfeiffer Vacuum Scandinavia AB
Phone: +46 8 590 748 10
sales@pfeiffer-vacuum.se

Switzerland

Pfeiffer Vacuum (Schweiz) AG
Phone: +41 44 444 22 55
info@pfeiffer-vacuum.ch

United States

Pfeiffer Vacuum Inc.
Phone: +1 603 578 6500
contact@pfeiffer-vacuum.com

www.pfeiffer-vacuum.net