



## Data sheet · HiPace™

HiPace™ 1200 C, with TC 1200, DN  
200 ISO-K, corrosive

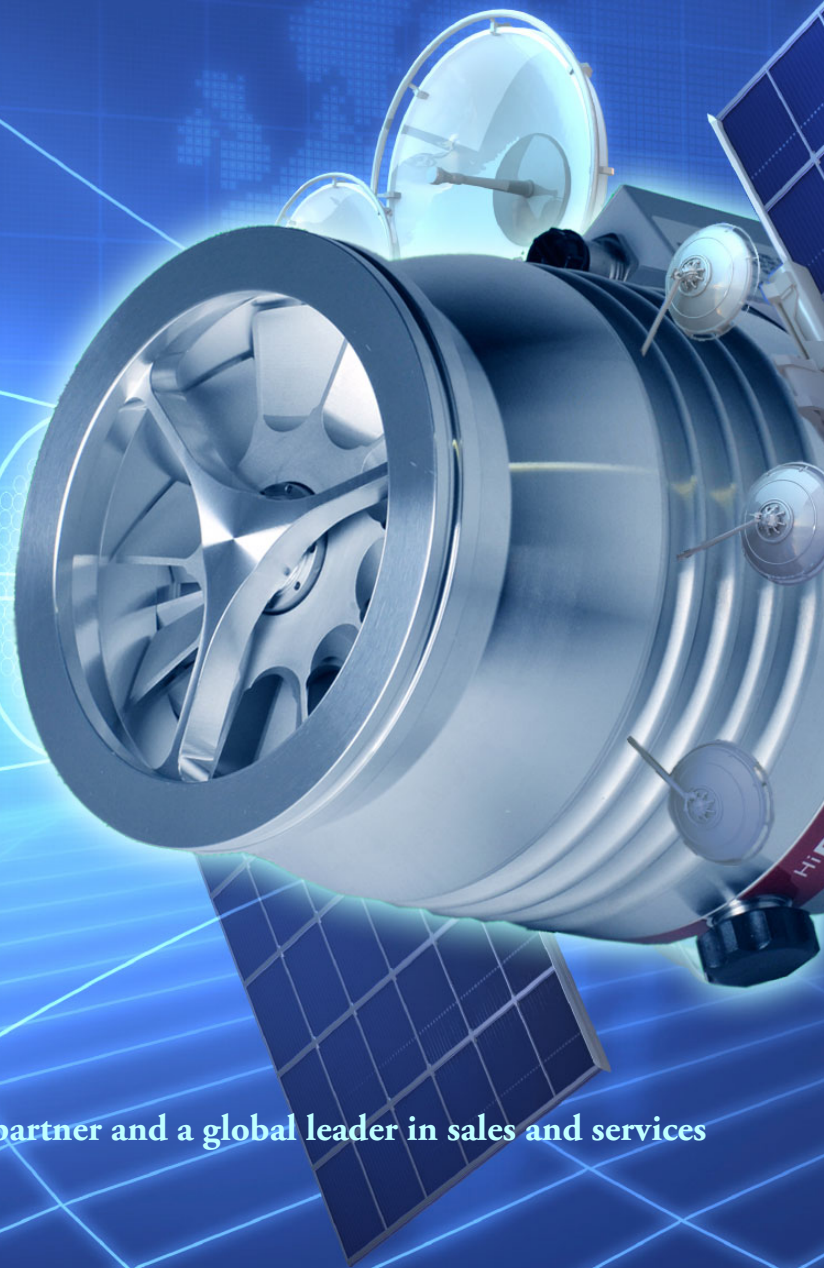
Powerful turbopump with a pumping speed of up to 1250 l/s

1.855.882.2886



# AJVS

[www.ajvs.com](http://www.ajvs.com)



A&J Vacuum Services is your highly qualified partner and a global leader in sales and services of your High Vacuum equipment.

A&J Vacuum Services, Inc.  
790 Bloomfield Ave., Suite B3  
Clifton, NJ 07012, USA  
Tel: 973-249-0854  
Fax: 973-249-0855  
Website: [www.ajvs.com](http://www.ajvs.com)

Customer Service: [info@ajvs.com](mailto:info@ajvs.com)  
Sales Inquiries: [sales@ajvs.com](mailto:sales@ajvs.com)  
Service Inquiries: [service@ajvs.com](mailto:service@ajvs.com)  
Technical Assistance: [tech@ajvs.com](mailto:tech@ajvs.com)  
Order Status: [tracking@ajvs.com](mailto:tracking@ajvs.com)

## HiPace™ 1200 C, with TC 1200, DN 200 ISO-K, corrosive

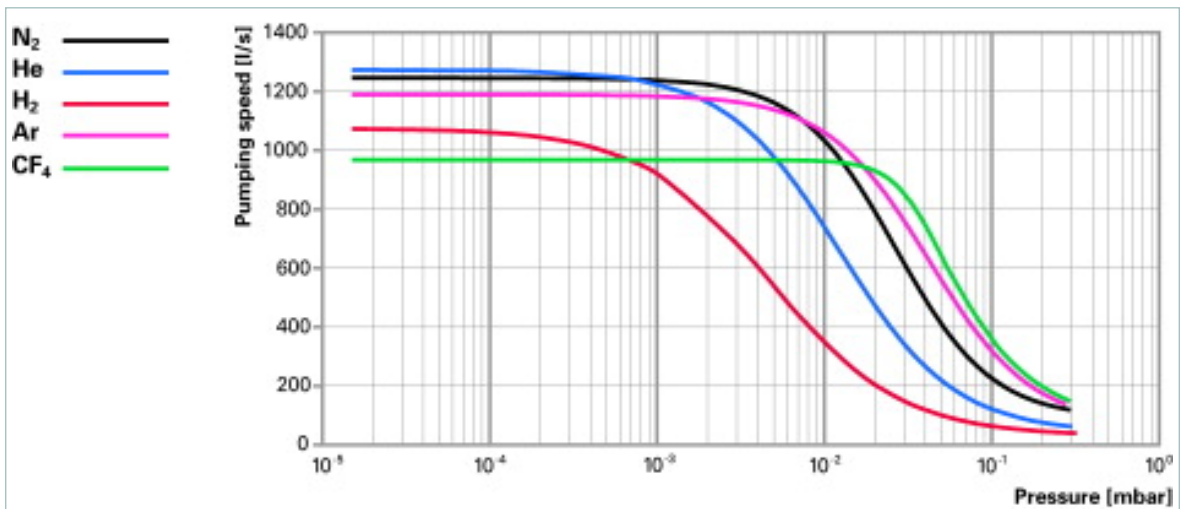
HiPace™ 1200 C



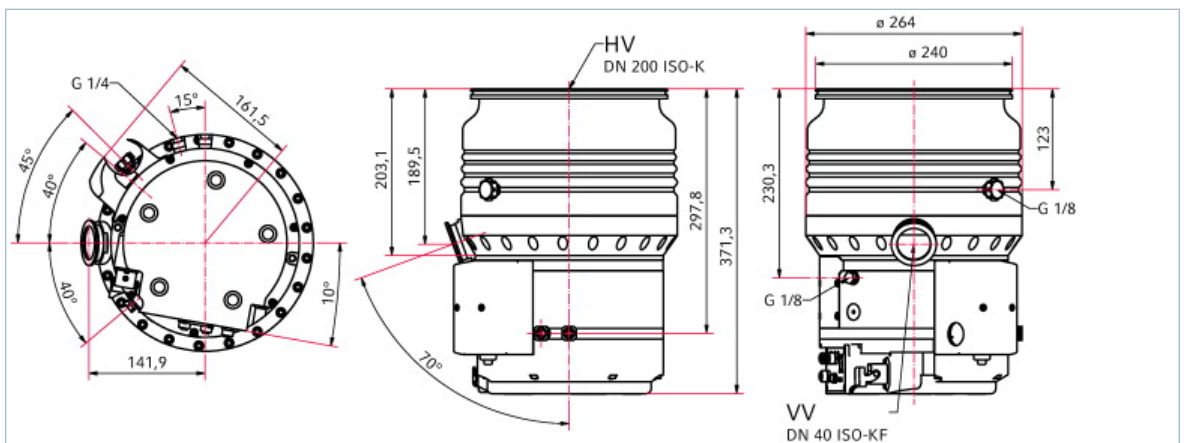
[Similar Image](#)

- Powerful turbopump with a pumping speed of up to 1250 l/s
- DN 200 ISO-K flange
- Integrated TC 1200 drive electronics with power supply
- Cooling: Water cooling
- Integrated sealing gas system with electric sealing gas valve 24 V DC
- Corrosive gas version

### Characteristics



### Dimensions



## HiPace™ 1200 C, with TC 1200, DN 200 ISO-K, corrosive

Technical Data	HiPace™ 1200 C, with TC 1200, DN 200 ISO-K, corrosive
Bearing	Hybrid
Compression ratio for Ar	$> 1 \cdot 10^8$
Compression ratio for CF <sub>4</sub>	$> 1 \cdot 10^8$
Compression ratio for H <sub>2</sub>	$6 \cdot 10^3$
Compression ratio for He	$2 \cdot 10^5$
Compression ratio for N <sub>2</sub>	$> 1 \cdot 10^8$
Cooling method, standard	Water
Cooling water consumption	100 l/h
Cooling water temperature	15-35 °C
Corrosive gas version	yes
Electronic drive unit	with TC 1200
Flange (in)	DN 200 ISO-K
Flange (out)	DN 40 ISO-KF
Fore vacuum max. for N <sub>2</sub>	2 mbar
Gas throughput at full rotational speed for Ar	11 mbar l/s
Gas throughput at full rotational speed for CF <sub>4</sub>	12 mbar l/s
Gas throughput at full rotational speed for H <sub>2</sub>	$> 30$ mbar l/s
Gas throughput at full rotational speed for He	$> 30$ mbar l/s
Gas throughput at full rotational speed for N <sub>2</sub>	20 mbar l/s
Integrated power supply	yes
Interface, extended	no
Interfaces	RS-485, Remote
Low vibrations	no
Mounting orientation	Standard (0°-90°)
Operating voltage	no
Particulate matter	yes
Permissible magnetic field max.	6 mT
Protection category	IP 54
Pumping speed for Ar	1200 l/s
Pumping speed for CF <sub>4</sub>	950 l/s
Pumping speed for H <sub>2</sub>	1100 l/s
Pumping speed for He	1300 l/s
Pumping speed for N <sub>2</sub>	1250 l/s
Rotation speed $\pm 2$ %	37800 rpm
Run-up time	2.5 min
Separat electronic drive unit	no
Sound pressure level	50 dB (A)
Ultimate pressure with OnTool™ DryPump	$< 1 \cdot 10^{-7}$ mbar
Venting connection	G 1/8"

## HiPace™ 1200 C, with TC 1200, DN 200 ISO-K, corrosive

Technical Data	HiPace™ 1200 C, with TC 1200, DN 200 ISO-K, corrosive
Weight	27 kg
<b>Order number</b>	<b>PMP03916</b>
<b>Backing pump control</b>	
Backing pump relay box, single phase 20 A, for TC 400/1200, TCP 350 and TM 3000	<b>PM061375-T</b>
Backing pump relay box, single phase 5 A, for TC 400/1200 and TM 3000	<b>PM061374-T</b>
TVV 001 fore-vacuum safety valve, 115 V AC	<b>PMZ01206</b>
TVV 001 fore-vacuum safety valve, 230 V AC	<b>PMZ01205</b>
<b>General accessories</b>	
Centering ring, with multifunction coating, DN 200 ISO-K/-F	<b>PM016220-U</b>
Centering ring, with multifunction coating and integrated protection screen, DN 200 ISO-K/-F	<b>PM016222-U</b>
Centering ring, with multifunction coating and integrated splinter shield, DN 200 ISO-K/-F	<b>PM016221-U</b>
Connection cable, plug M12, RJ 45, 3 m	<b>PM051726-T</b>
Interface cable, 3 m, M12	<b>PM061283-T</b>
Interface cable, 3 m, M12, straight, 90°	<b>PM061791-T</b>
Remote adapter for RS-485	<b>PM061649-T</b>
Remote plug for TC 400/1200, with bridges	<b>PM061378-X</b>
Sealing gas throttle for HiPace 1200-2300	<b>PMZ01318</b>
Sealing gas valve for HiPace 1200-2300 with TC 1200	<b>PMZ01313</b>
USB converter to RS-485 interface	<b>PM061207-T</b>
Vibration damper for HiPace 1200 and HiPace 1800, DN 200 ISO-K/-F	<b>PM006668-X</b>
Y-Connector M12 for accessories	<b>P4723012</b>
Y-Connector M12 to RS-485	<b>P4723010</b>
<b>Mains cables and connection cables</b>	
208 V AC mains cable with UL plug, NEMA-HAN 3A, 3 m	<b>P4564309HB</b>
Mains cable 230 V AC, with Euro-style safety plug, VII-HAN 3A, 3 m	<b>P4564309HA</b>

## HiPace™ 1200 C, with TC 1200, DN 200 ISO-K, corrosive

### Mounting materials

Mounting kit for HiPace 1200, DN 200 ISO-K, including coated centering ring, bracket screws	PM016390-T
Mounting kit for HiPace 1200, DN 200 ISO-K, including coated centering ring, protection screen, clamping screws	PM016392-T
Mounting kit for HiPace 1200, DN 200 ISO-K, including coated centering ring, splinter shield, bracket screws	PM016391-T

### Plugs and connectors

Mains supply socket	PM061200-T
---------------------	------------

### Power supplies, control displays and drive units

Accessories package for HPU - Power supply, software and PC cable	PM061005-T
DCU 002, Display control unit	PM061348-T
HPU 001, handheld programming unit	PM051510-T

### Venting accessories

TTV 001, air drier for venting turbopumps	PMZ00121
Venting valve, 24 V DC, G 1/8", for connection to TC 400/1200	PMZ01291