



## Data sheet · OktaLine™

### Okta 1000 ADEx, without motor

High-performance Roots pump with a pumping speed of up to 1300 m<sup>3</sup>/h

## Okta 1000 ADEx, without motor

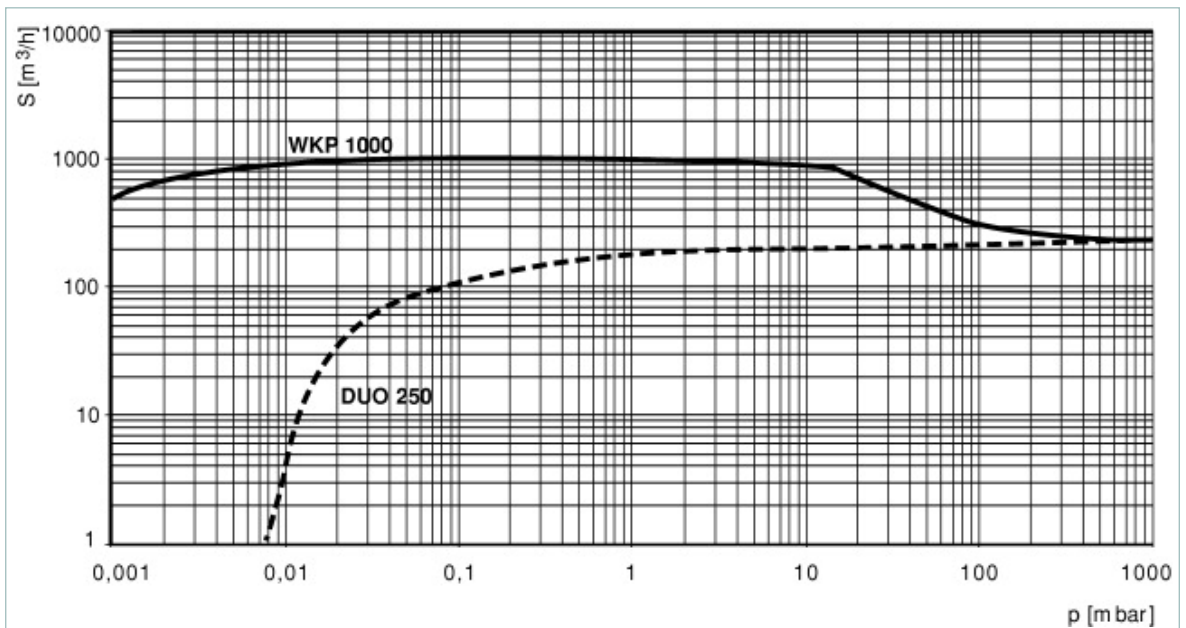
Okta 1000 ADEx



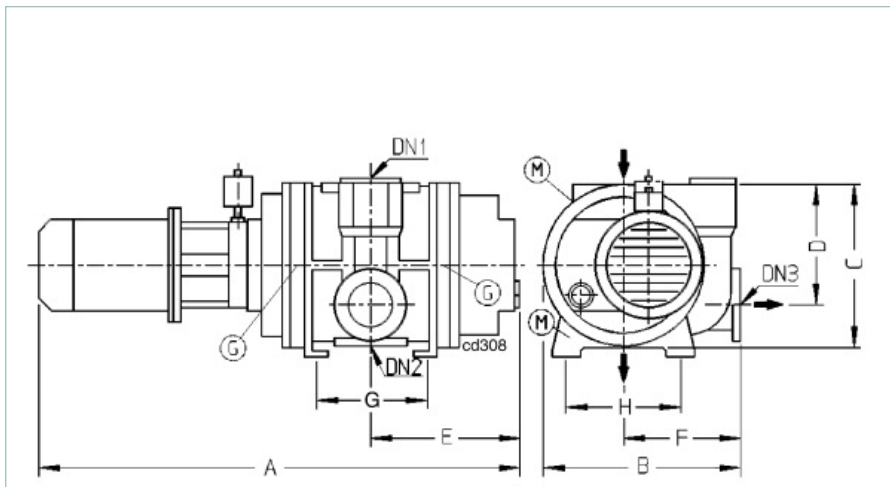
[Similar Image](#)

- High-performance Roots pump with a pumping speed of up to 1300 m<sup>3</sup>/h
- Without motor (coupling and motor lantern are included in delivery)
- Pressure-surge resistant up to 16 bar
- With integrated overflow valve in stainless steel and Atex-certified temperature sensor
- For Atex applications (directive 94/9/EG)

### Characteristics



### Dimensions



A	1125 mm
B	446 mm
C	360 mm
D	270 mm
DN 1	DN 150 PN 16
DN 2	DN 100 PN 16
DN 3	DN 100 PN 16
E	337 mm
F	266 mm
G	230 mm
H	280 mm

## Okta 1000 ADEx, without motor

Technical Data	Okta 1000 ADEx, without motor
Differential pressure at the overflow valve	30 mbar
Emission sound pressure level (EN ISO 2151) at intake pressure 10 mbar	75 dB (A)
Emission sound pressure level (EN ISO 2151) at intake pressure 1 mbar	72 dB (A)
Flange (in)	DN 150 DIN PN 16
Flange (out)	DN 100 DIN PN 16
Leak rate	$1 \cdot 10^{-2}$ mbar l/s
Nominal pumping speed at 50 Hz	1070 m <sup>3</sup> /h
Nominal pumping speed at 60 Hz	1284 m <sup>3</sup> /h
Operating fluid filling	2.9 l
Version	Explosion hazard protected: Zone 1, inside and outside
Weight	230 kg

<b>Order number</b>	<b>PPW41950</b>
---------------------	-----------------

Consumables	Okta 1000 ADEx, without motor
P3, mineral oil, 1 l	PK001106-T
P3, mineral oil, 5 l	PK001107-T