



## Data sheet · OktaLine™

**Okta 250 AM, 230/400 V, 60 Hz**

**High-performance Roots pump with a pumping speed of up to 330 m<sup>3</sup>/h and magnetic coupling**

## Okta 250 AM, 230/400 V, 60 Hz

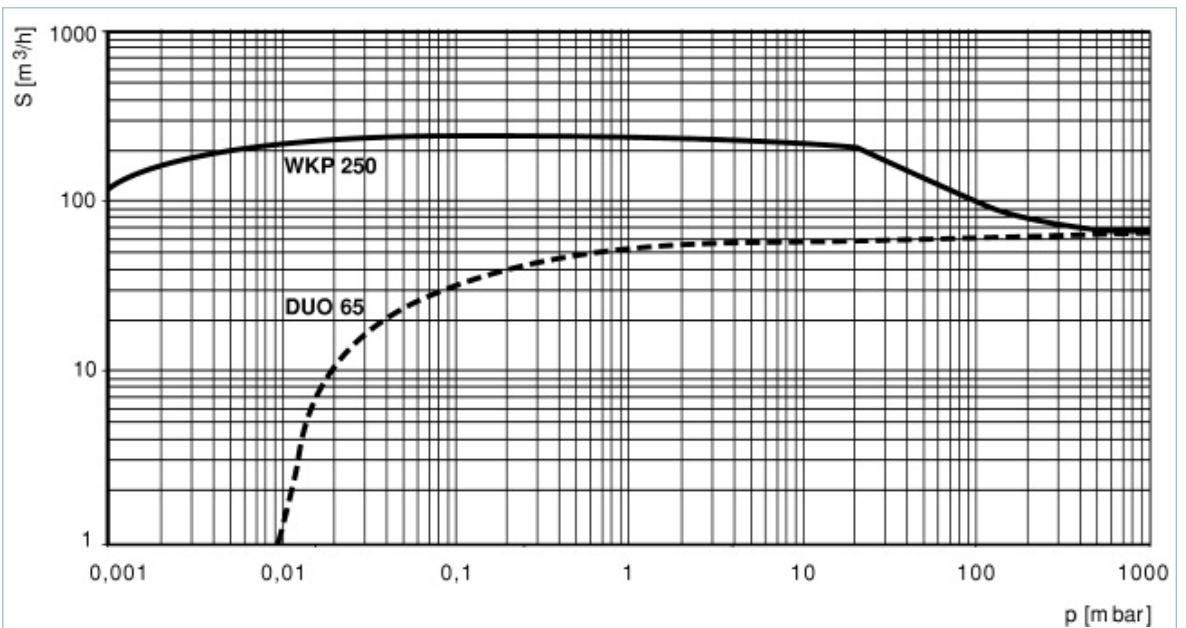
Okta 250 AM



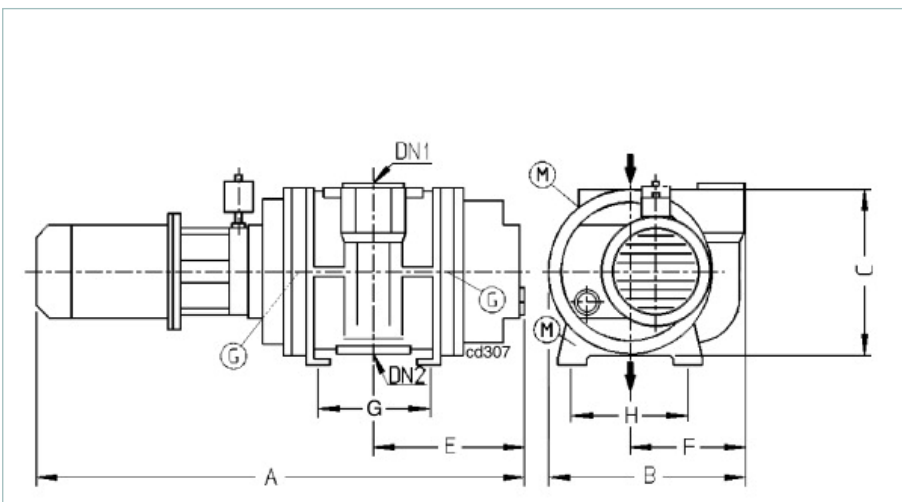
[Similar Image](#)

- High-performance Roots pump with a pumping speed of up to 330 m<sup>3</sup>/h and magnetic coupling
- For mains voltage: 230/400 V, 60 Hz
- No thermal overload thanks to integral overflow valve
- For applications in the low and medium vacuum

### Characteristics



### Dimensions



A	800 mm
B	324 mm
C	280 mm
DN 1	DN 63 ISO-F
DN 2	DN 63 ISO-F
E	220 mm
F	184 mm
G	170 mm
H	220 mm

## Okta 250 AM, 230/400 V, 60 Hz

Technical Data	Okta 250 AM, 230/400 V, 60 Hz
Differential pressure at the overflow valve	75 mbar
Emission sound pressure level (EN ISO 2151) at intake pressure 10 mbar	75 dB (A)
Emission sound pressure level (EN ISO 2151) at intake pressure 1 mbar	70 dB (A)
Flange (in)	DN 63 ISO-F
Flange (out)	DN 63 ISO-F
Leak rate	$1 \cdot 10^{-5}$ mbar l/s
Mains requirement: voltage (selectable)	230/400 V, 60 Hz
Motor rating	1.1 kW
Nominal pumping speed	324 m <sup>3</sup> /h
Operating fluid filling	1.5 l
Rotation speed	3600 rpm
Version	Hermetically sealed
Weight	125 kg
<b>Order number</b>	<b>PPW22002</b>
<b>Consumables</b>	<b>Okta 250 AM, 230/400 V, 60 Hz</b>
P3, mineral oil, 1 l	<b>PK001106-T</b>