



Data sheet · ActiveLine

Active Pirani transmitter TPR 280, 80
°C, DN 16 ISO-KF

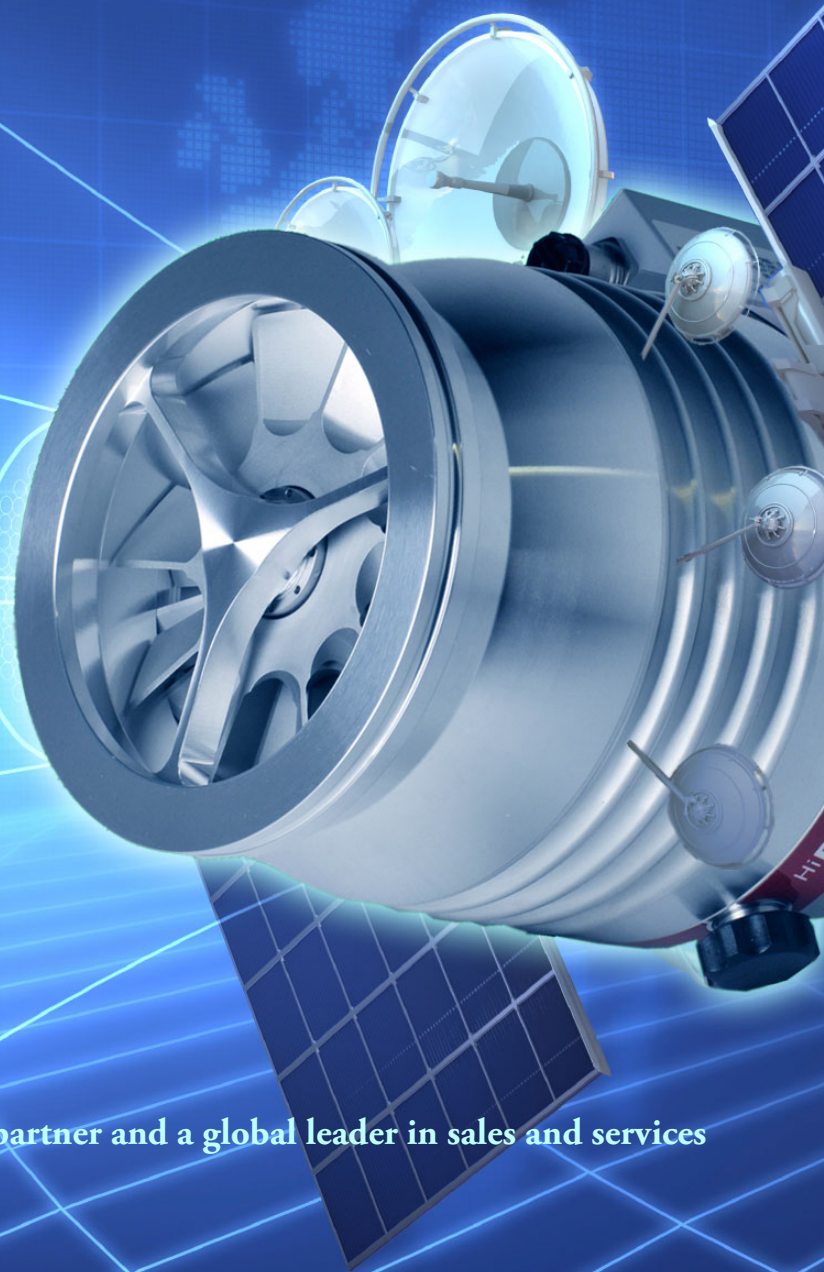
Flange size: DN 16 ISO-KF

1.855.882.2886



AJVS

www.ajvs.com



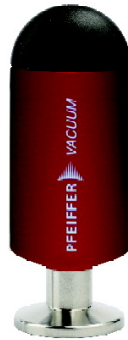
A&J Vacuum Services is your highly qualified partner and a global leader in sales and services of your High Vacuum equipment.

A&J Vacuum Services, Inc.
790 Bloomfield Ave., Suite B3
Clifton, NJ 07012, USA
Tel: 973-249-0854
Fax: 973-249-0855
Website: www.ajvs.com

Customer Service: info@ajvs.com
Sales Inquiries: sales@ajvs.com
Service Inquiries: service@ajvs.com
Technical Assistance: tech@ajvs.com
Order Status: tracking@ajvs.com

Active Pirani transmitter TPR 280, 80 °C, DN 16 ISO-KF

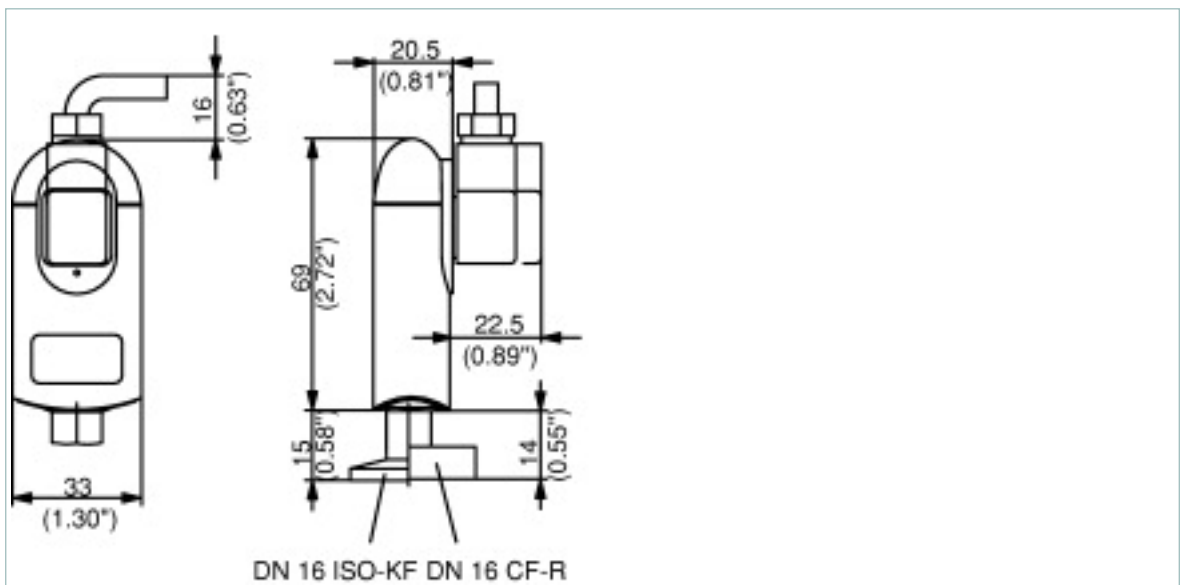
Active Pirani transmitter TPR 280



- Flange size: DN 16 ISO-KF
- Measurement range from $5 \cdot 10^{-4}$ to 1000 mbar
- Compact and rugged
- Fast, stable measurement
- For general vacuum applications
- Maximum pressure refers to inert gases

[Similar Image](#)

Dimensions



Active Pirani transmitter TPR 280, 80 °C, DN 16 ISO-KF

Technical Data	Active Pirani transmitter TPR 280, 80 °C, DN 16 ISO-KF
Accuracy: 10^{-3} - 10^2 mbar	± 15 %
Bakeout temperature	80 °C
Feature	Stainless steel, metal sealed
Feedthrough	Glass
Filament	Tungsten
Flange	Stainless steel
Flange (in)	DN 16 ISO-KF
Measurement range max.	1000 mbar
Measurement range min.	$5 \cdot 10^{-4}$ mbar
Output signal: Minimum load	10 k
Output signal: Pressure range	2.2 - 8.5 V
Output signal: Sensor error below	0.5 V
Pressure max.	10 bar
Protection category	IP 40
Repeatability: 10^{-3} - 10^2 mbar	± 2 %
Resolution	1 % of reading
Response time	80 ms
Seal	Metal
Sensor cable length max.	200 m
Supply: Power consumption max.	1 W
Supply: Voltage	14-30 V DC
Temperature: Operating	5-60 °C
Temperature: Storage	-20+65 °C
Volume	1.5 cm ³
Weight	80 g

Order number	PTR26950
---------------------	-----------------

ActiveLine sensor cables

Sensor cable, 3 m	PT448250-T
-------------------	-------------------

Centering rings with poral filter, pore size 0.02 mm

Centering ring with poral filter, Pore size: 0.4 m, FPM/stainless steel, DN 16 ISO-KF	PF117216-T
---	-------------------