



## Data sheet · ActiveLine

Active Pirani transmitter TPR 281, 80  
°C, DN 16 ISO-KF

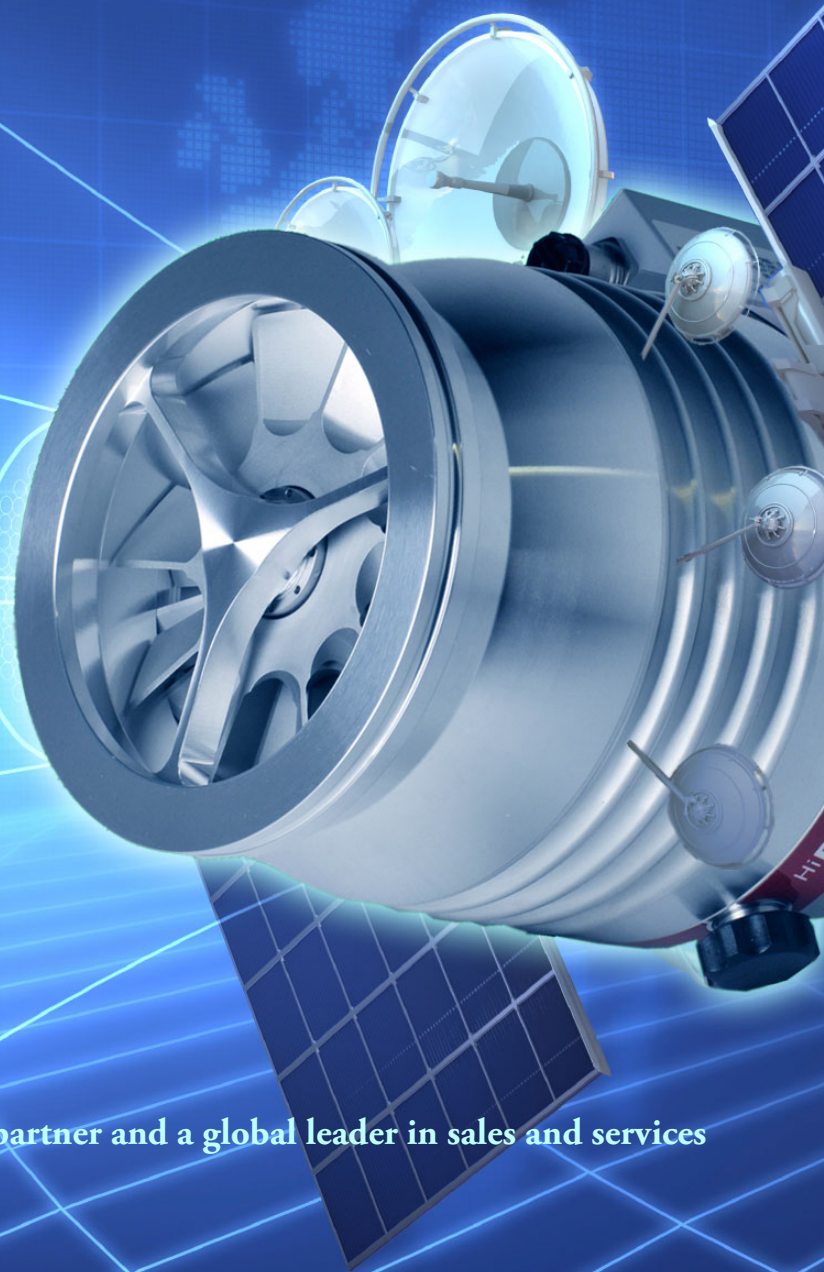
Flange size: DN 16 ISO-KF

1.855.882.2886



# AJVS

[www.ajvs.com](http://www.ajvs.com)



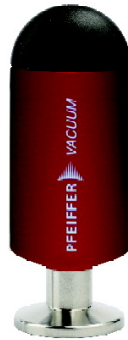
A&J Vacuum Services is your highly qualified partner and a global leader in sales and services of your High Vacuum equipment.

A&J Vacuum Services, Inc.  
790 Bloomfield Ave., Suite B3  
Clifton, NJ 07012, USA  
Tel: 973-249-0854  
Fax: 973-249-0855  
Website: [www.ajvs.com](http://www.ajvs.com)

Customer Service: [info@ajvs.com](mailto:info@ajvs.com)  
Sales Inquiries: [sales@ajvs.com](mailto:sales@ajvs.com)  
Service Inquiries: [service@ajvs.com](mailto:service@ajvs.com)  
Technical Assistance: [tech@ajvs.com](mailto:tech@ajvs.com)  
Order Status: [tracking@ajvs.com](mailto:tracking@ajvs.com)

## Active Pirani transmitter TPR 281, 80 °C, DN 16 ISO-KF

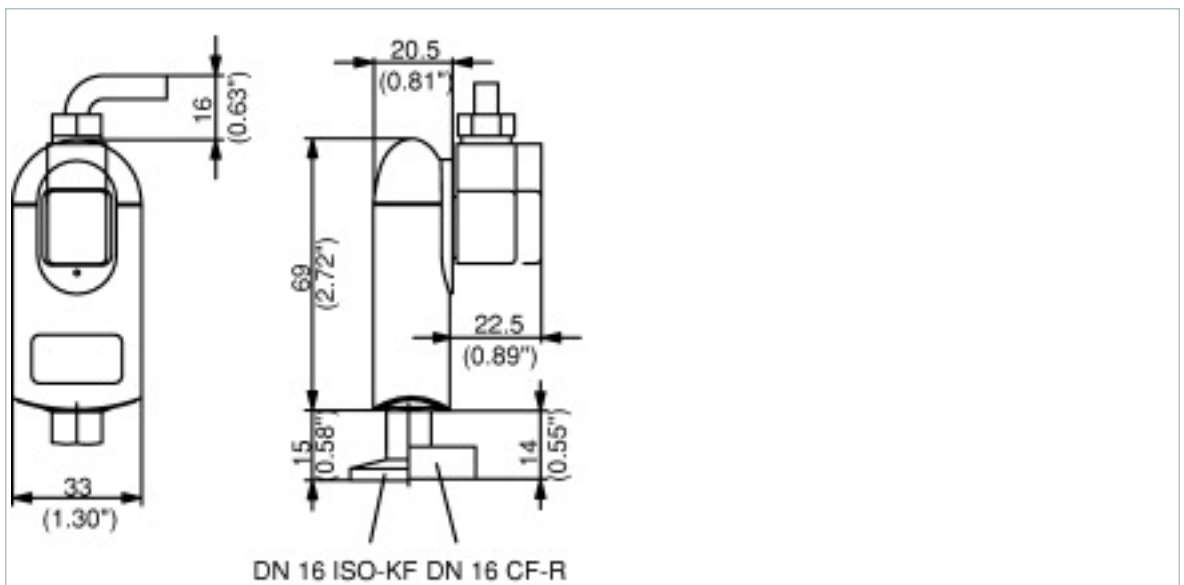
Active Pirani transmitter TPR 281



- Flange size: DN 16 ISO-KF
- Measurement range from  $5 \cdot 10^{-4}$  to 1000 mbar
- Compact and rugged
- Fast, stable measurement
- For corrosive media
- Maximum pressure refers to inert gases

[Similar Image](#)

### Dimensions



## Active Pirani transmitter TPR 281, 80 °C, DN 16 ISO-KF

Technical Data	Active Pirani transmitter TPR 281, 80 °C, DN 16 ISO-KF
Accuracy: 10 <sup>-3</sup> - 10 <sup>2</sup> mbar	± 15 %
Bakeout temperature	80 °C
Feature	For corrosive media
Feedthrough	Glass
Filament	Nickel
Flange	Stainless steel
Flange (in)	DN 16 ISO-KF
Measurement range max.	1000 mbar
Measurement range min.	5 · 10 <sup>-4</sup> mbar
Output signal: Minimum load	10 k
Output signal: Pressure range	2.2 - 8.5 V
Output signal: Sensor error below	0.5 V
Pressure max.	10 bar
Repeatability: 10 <sup>-3</sup> - 10 <sup>2</sup> mbar	± 2 %
Seal	Metal
Sensor cable length max.	200 m
Supply: Power consumption max.	1 W
Supply: Voltage	14-30 V DC
Temperature: Operating	5-60 °C
Temperature: Storage	-20+65 °C
Volume	1.3 cm <sup>3</sup>
Weight	80 g

<b>Order number</b>	<b>PTR21950</b>
---------------------	-----------------

### ActiveLine sensor cables

Sensor cable, 3 m	<b>PT448250-T</b>
-------------------	-------------------

### Centering rings with poral filter, pore size 0.02 mm

Centering ring with poral filter, Pore size: 0.4 m, FPM/stainless steel, DN 16 ISO-KF	<b>PF117216-T</b>
---	-------------------

**Leading. Dependable.  
Customer Friendly.**

Pfeiffer Vacuum stands for innovative and custom vacuum solutions worldwide, for German engineering art, competent advice and reliable service.

As the inventor of the turbopump, we have always been consistently setting standards in our industry and this claim to leadership will continue to drive us in the future.

**Are you looking for a  
perfect vacuum solution?  
Please contact us:**

**Germany**

Pfeiffer Vacuum GmbH  
Headquarters  
Phone: +49 (0) 6441 802-0  
info@pfeiffer-vacuum.de

**Benelux**

Pfeiffer Vacuum GmbH  
Sales & Service Benelux  
Phone: +800-pfeiffer  
benelux@pfeiffer-vacuum.de

**China**

Pfeiffer Vacuum  
(Shanghai) Co., Ltd.  
Phone: +86 21 3393 3940  
info@pfeiffer-vacuum.cn

**France**

Pfeiffer Vacuum France SAS  
Phone: +33 169 30 92 82  
info@pfeiffer-vacuum.fr

**Great Britain**

Pfeiffer Vacuum Ltd.  
Phone: +44 1908 500600  
sales@pfeiffer-vacuum.co.uk

**India**

Pfeiffer Vacuum India Ltd.  
Phone: +91 40 2775 0014  
pfeiffer@vsnl.net

**Italy**

Pfeiffer Vacuum Italia S.p.A.  
Phone: +39 02 93 99 05 1  
contact@pfeiffer-vacuum.it

**Korea**

Pfeiffer Vacuum Korea Ltd.  
Phone: +82 31 266 0741  
sales@pfeiffer-vacuum.co.kr

**Austria**

Pfeiffer Vacuum Austria GmbH  
Phone: +43 1 894 17 04  
office@pfeiffer-vacuum.at

**Sweden**

Pfeiffer Vacuum Scandinavia AB  
Phone: +46 8 590 748 10  
sales@pfeiffer-vacuum.se

**Switzerland**

Pfeiffer Vacuum (Schweiz) AG  
Phone: +41 44 444 22 55  
info@pfeiffer-vacuum.ch

**United States**

Pfeiffer Vacuum Inc.  
Phone: +1 603 578 6500  
contact@pfeiffer-vacuum.com

[www.pfeiffer-vacuum.net](http://www.pfeiffer-vacuum.net)