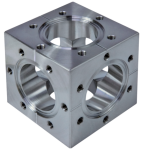


UHV-Cube, Stainless Steel 316L/1.4404, DN 160 CF

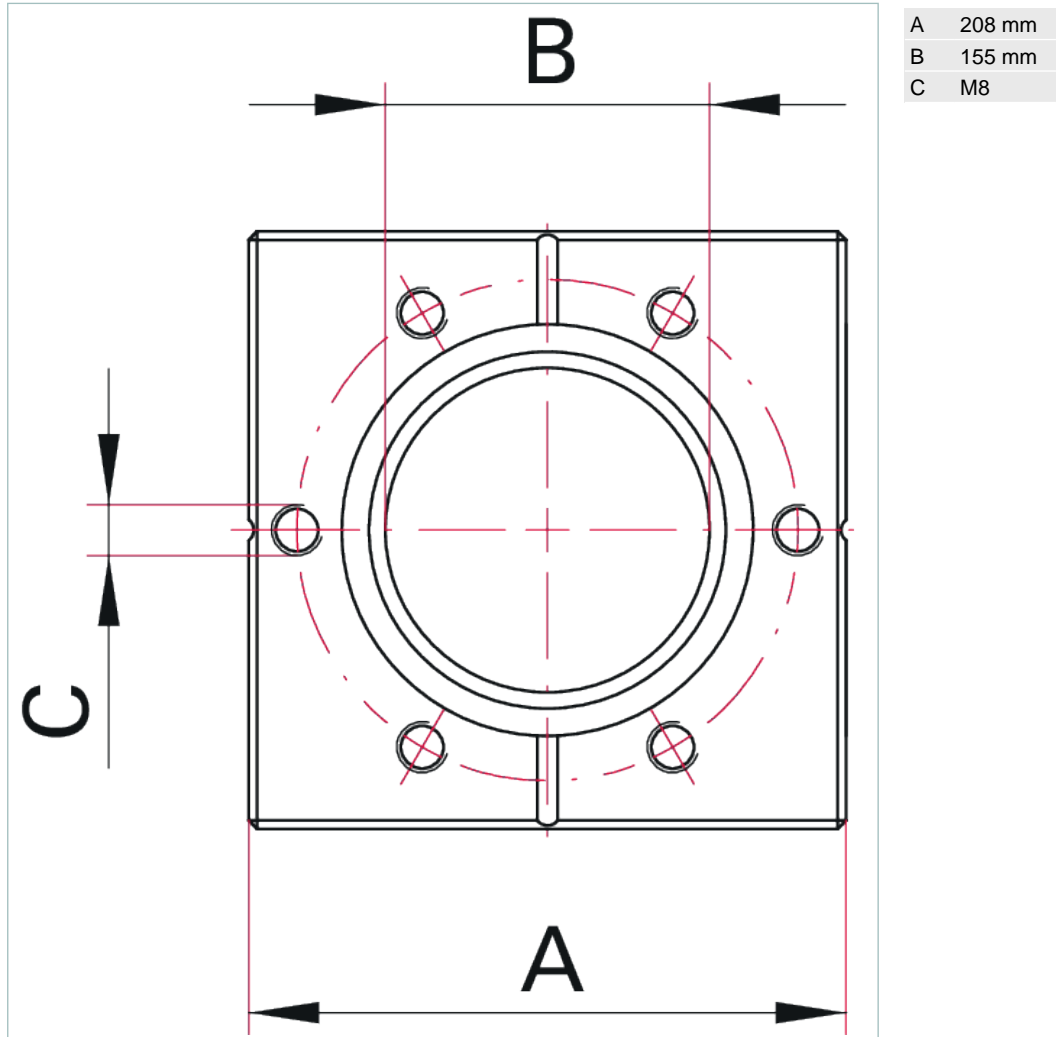


Similar Image

UHV-Cube, Stainless Steel 316L/1.4404, DN 160 CF

- DN 160: manufactured from welded plates

Dimensions



Technical Data	UHV-Cube, Stainless Steel 316L/1.4404, DN 160 CF
Bolt circle	181 mm
Material	Stainless steel 316L/1.4404
Nominal diameter	DN 160 CF
Number of screws	6 Pcs.
Pressure range	$1 \cdot 10^{-12}$ hPa to ambient pressure
Temperature range	-196-300 °C -320.8-572 °F 77-573 K
Thread	M8
Thread depth	8 mm 0.31 inch

Order number	
UHV Cube	470RKK160

VACUUM SOLUTIONS FROM A SINGLE SOURCE

Pfeiffer Vacuum stands for innovative and custom vacuum solutions worldwide, technological perfection, competent advice and reliable service.

COMPLETE RANGE OF PRODUCTS

From a single component to complex systems:

We are the only supplier of vacuum technology that provides a complete product portfolio.

COMPETENCE IN THEORY AND PRACTICE

Benefit from our know-how and our portfolio of training opportunities!

We support you with your plant layout and provide first-class on-site service worldwide.

Are you looking for a
perfect vacuum solution?
Please contact us:

Pfeiffer Vacuum GmbH
Headquarters · Germany
T +49 6441 802-0
info@pfeiffer-vacuum.de

www.pfeiffer-vacuum.com

All data subject to change without prior notice.

PFEIFFER  **VACUUM**