



TECHNICAL DATA

DISPLACEMENT L/Min(50/60hz) - 250/300

ULTIMATE PRESSURE - Pa - 1.6

MOTOR POWER - kW - 0.4

NOISE LEVEL - dB(A) - 58

COOLING SYSTEM - Air Cooled

INLET CONNECTION - NW25

OUTLET CONNECTION - NW16

DIMENSIONS mm. - 400 x 252 x 336

WEIGHT - (kg) - 25

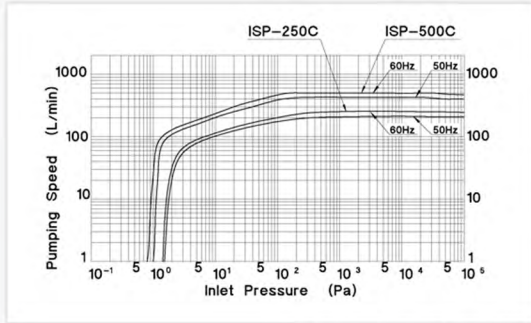
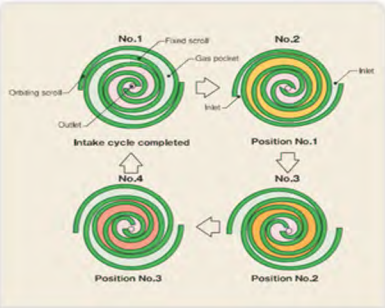
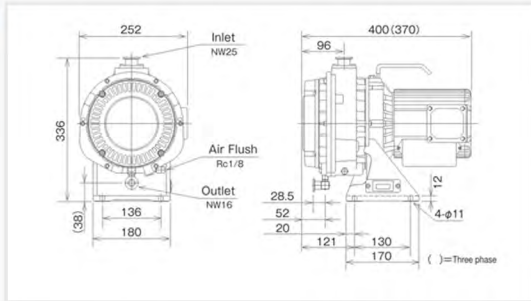
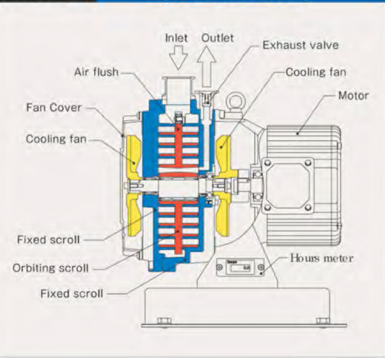
We Can Rebuild & Service your ISP-250C.

A & J
VACUUM SERVICES, INC

ANEST IWATA
Scroll Meister ISP-250C Dry Scroll Pump

SALES & SERVICE 1-973-249-0854

Full
Manufacturer
Warranty



We Can Rebuild & Service your ISP-250C.



ISP APPLICATIONS

- SPUTTERING EQUIPMENT
- SYNCHROTRON RADIATION
- SURFACE MODIFICATION
- ELECTRON BEAM PROCESS
- GAS RECOVERY DEVICES
- VACUUM EQUIPMENT
- LEAK DETECTORS
- DEVICE HANDLING SYSTEM
- LABORATORY USE



ANEST IWATA
Scroll Meister ISP-250C Dry Scroll Pump

SALES & SERVICE 1-973-249-0854