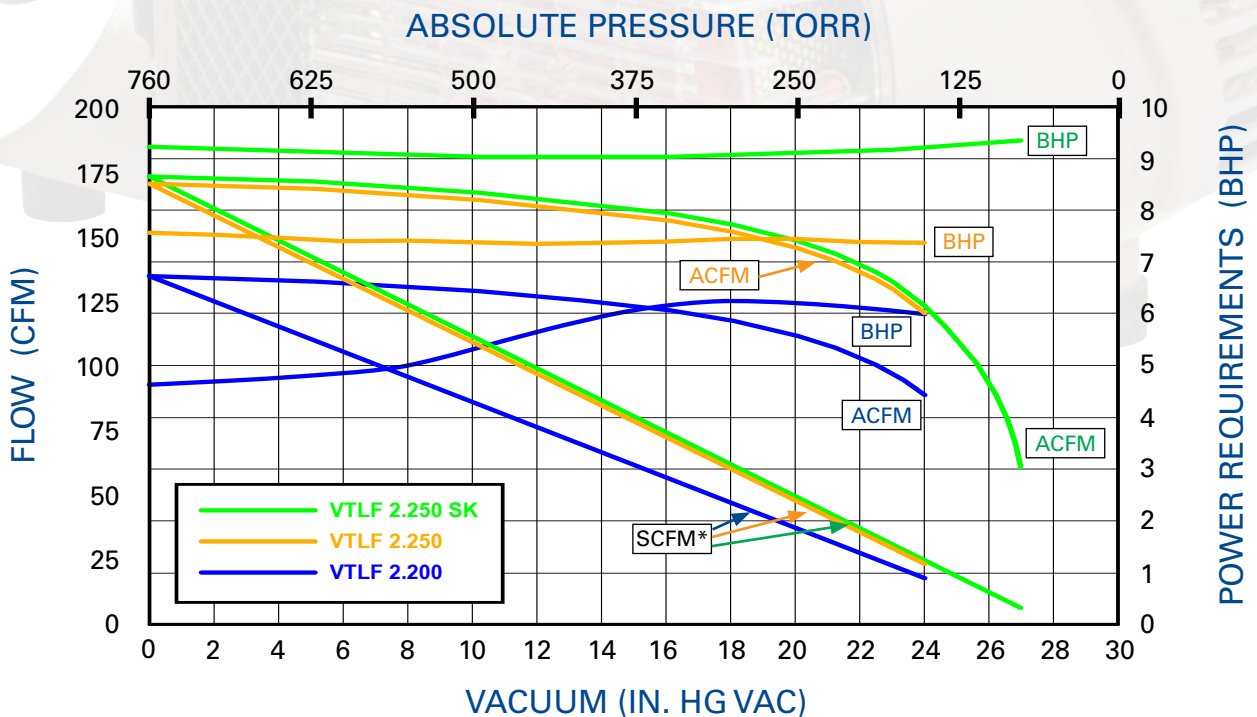


VTLF 2.2xx Series

100% OIL-LESS VACUUM PUMPS



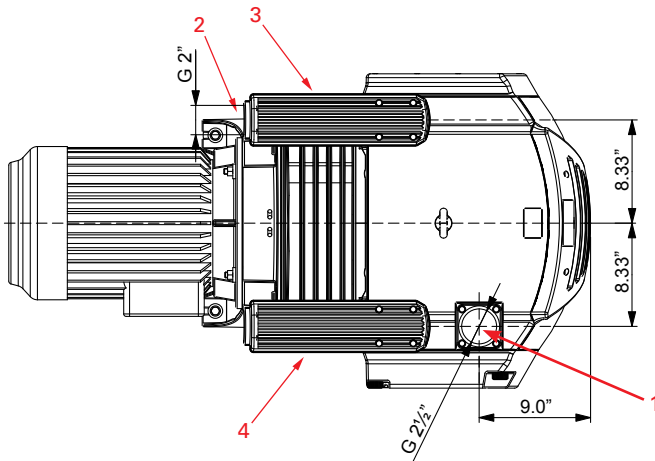
- 100% Oil-less (dry operation)
- Continuous duty rated
- Operation: Atm. to 27 in.HgV
- Direct drive—no belts; no gears
- Low energy consumption
- TEFC motor
- Integral pressure regulating valve
- Integral extra-large 4-micron inlet filter
- Clear filter housing aids inspection
- Vibration isolators
- Quiet operation
- Cool running



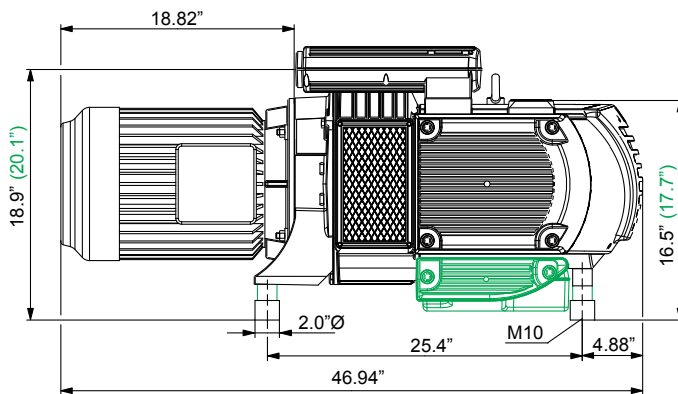
* @ 29.92" Hg Bar. Pr.; 68°F; 36% R.H.; 0.075#/ft³

Engineering Vacuum and Pressure Solutions that are Like a Breath of Fresh Air

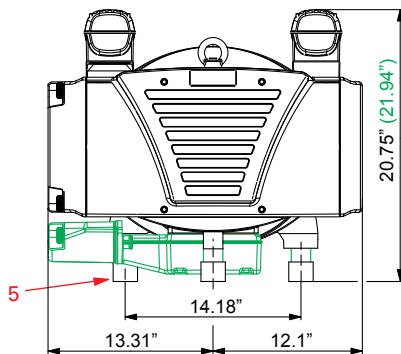
TECHNICAL DATA



Top View



Side View



End View (Opposite Motor End)

	VTLF 2.200	VTLF 2.250	VTLF 2.250 SK
All data based on 60 Hz operation			
Flow (SCFM @ 0 in. Hg)	129	169	174
Power (kW/HP)	4.8/6.4	6.4/8.5	9.3/12.4
Speed (RPM)	850	1175	1175
Max. Cont. Vacuum (in. HgV)	24	24	27
Weight (lbs.)—w/ motor*	546	550	572
Noise Level (Max. dBA)	78	79	79
Inlet size (BSP, inches):	G-2½"	G-2½"	G-2½"
with NPT adapter:	2"	2"	2"

* Overall specifications for units may vary due to motor provider. Contact factory for information. Manufacturer reserves right to alter data without notice.

Available accessories:

External inlet filters; check valves; digital and analog vacuum gauges; motor starters; liquid traps/separators; sound enclosures. Inquire at 888-633-1083

- 1 - Inlet Port
- 2 - Discharge Port
- 3 - Discharge Silencer
- 4 - Vacuum Relief Valve / Silencer
- 5 - Vibration Isolators

Black dimensions pertain to all models