



Water cooling for HiPace 300 with push-in fitting 8 mm

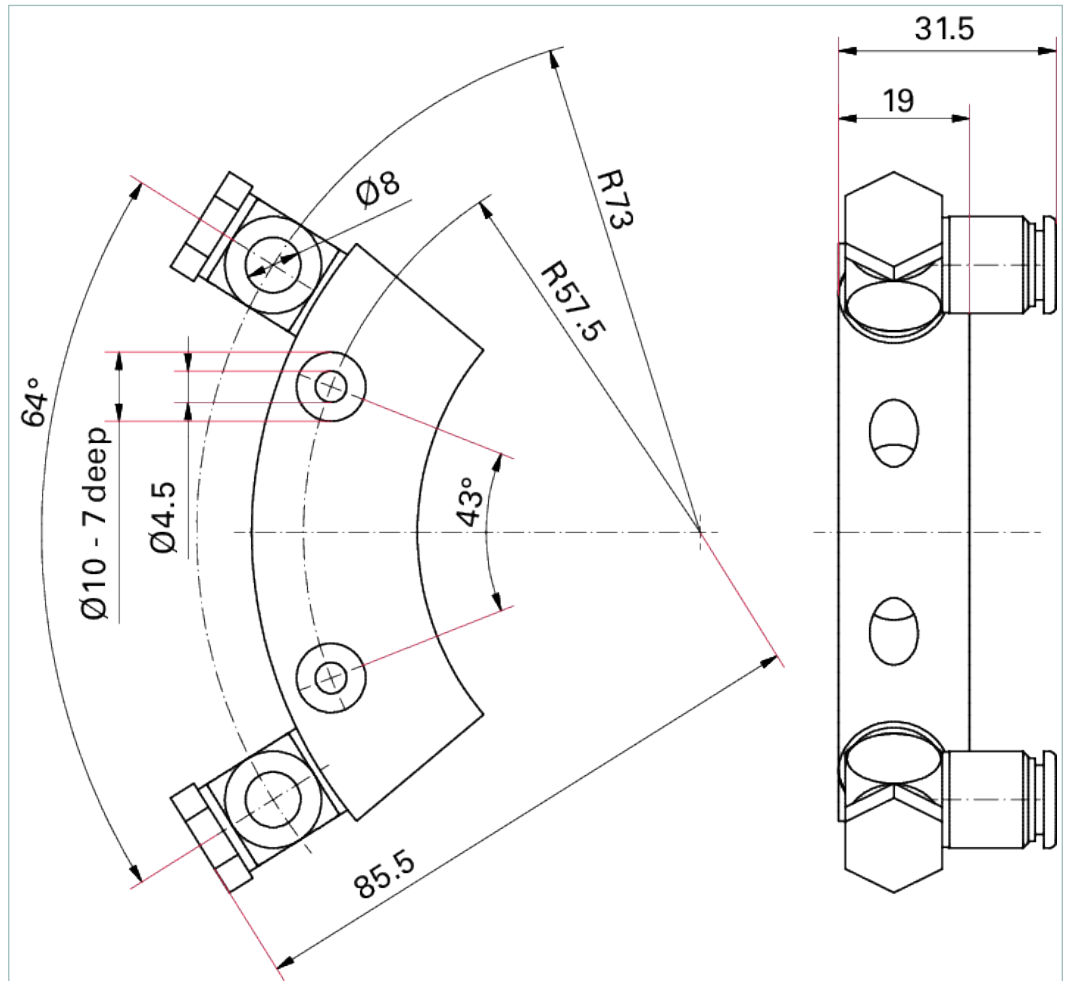


Similar Image

Water cooling for HiPace 300 with push-in fitting 8 mm

- Suitable for HiPace 300 with electronic drive unit TC 100
- Required installation elements included in scope of delivery
- Standardized 1/8" plug-in connection for 8 mm hose connection
- Water cooling is mandatory if the pump is heated or operated at high gas loads

Dimensions



Technical Data

Inlet/Outlet
Pump

Water cooling for HiPace 300 with push-in fitting 8 mm

ø 8 mm plug-in connection
HiPace 300

Order number

Water cooling

PM 016 624 -T

VACUUM SOLUTIONS FROM A SINGLE SOURCE

Pfeiffer Vacuum stands for innovative and custom vacuum solutions worldwide, technological perfection, competent advice and reliable service.

COMPLETE RANGE OF PRODUCTS

From a single component to complex systems:

We are the only supplier of vacuum technology that provides a complete product portfolio.

COMPETENCE IN THEORY AND PRACTICE

Benefit from our know-how and our portfolio of training opportunities!

We support you with your plant layout and provide first-class on-site service worldwide.

Are you looking for a
perfect vacuum solution?
Please contact us:

Pfeiffer Vacuum GmbH
Headquarters · Germany
T +49 6441 802-0
info@pfeiffer-vacuum.de

www.pfeiffer-vacuum.com

All data subject to change without prior notice.

PFEIFFER  **VACUUM**