



# HiPace 350, DN 100 CF-F , HiScroll 18

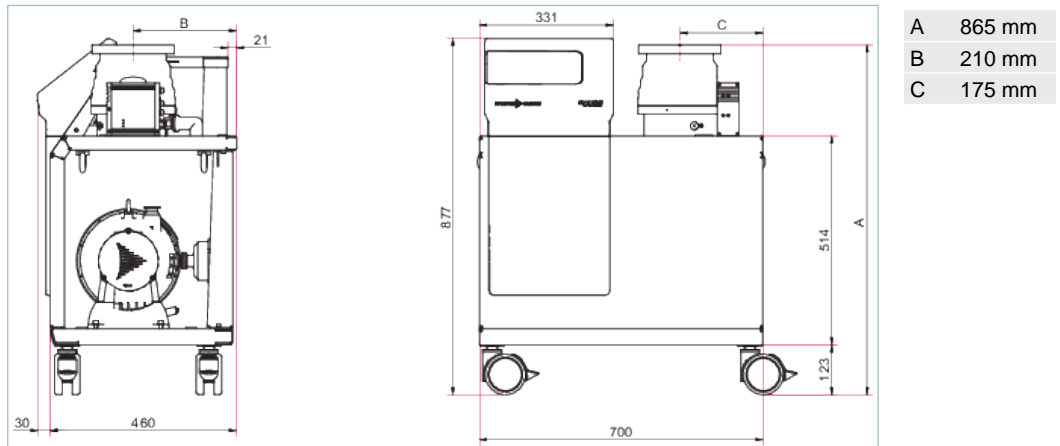


Similar Image

## HiPace 350, DN 100 CF-F , HiScroll 18

- Compact series of pumping stations for all high vacuum applications
- Simple operation with touch display
- Remote control possible via web server
- Reliable and robust

### Dimensions



Technical Data	HiPace 350, DN 100 CF-F , HiScroll 18
Ambient temperature	5-35 °C   41-95 °F   278-308 K
Backing pump	HiScroll 18
Connection flange (in)	DN 100 CF-F
Connection flange (out)	Silencer, DN 25 ISO-KF
Cooling method	Air (Forced convection)
Current, max.	5.8 A
Final pressure	1 · 10 <sup>-10</sup> hPa   7.5 · 10 <sup>-11</sup> Torr   1 · 10 <sup>-10</sup> mbar
Fore-vacuum safety valve	Yes
Input voltage(s)	100 – 120 / 200 – 240 V AC (±10 %), 50/60 Hz
Mains frequency compatibility	50 Hz 60 Hz
Module Slot 1	Gauge/IO
Motor for region	Worldwide
Pumping speed backing pump	50 Hz: 18.1 l/s
Pumping speed for N <sub>2</sub>	300 l/s
Rated current consumption	100 V – 120 V: 200 V – 240 V:
Sound pressure level	≤50 dB(A)
Temperature: Shipping	-20-55 °C   -4-131 °F   253-328 K
Temperature: Storage	-10-50 °C   14-122 °F   263-323 K
Turbopump	HiPace 350
Type	Turbo pumping station
Weight	82.5 kg   181.88 lb

Order number	
HiCube 350 Neo	PM Q241 320 00

## **VACUUM SOLUTIONS FROM A SINGLE SOURCE**

Pfeiffer Vacuum stands for innovative and custom vacuum solutions worldwide, technological perfection, competent advice and reliable service.

## **COMPLETE RANGE OF PRODUCTS**

From a single component to complex systems:

We are the only supplier of vacuum technology that provides a complete product portfolio.

## **COMPETENCE IN THEORY AND PRACTICE**

Benefit from our know-how and our portfolio of training opportunities!

We support you with your plant layout and provide first-class on-site service worldwide.

Are you looking for a  
perfect vacuum solution?  
Please contact us:

**Pfeiffer Vacuum GmbH**  
Headquarters · Germany  
T +49 6441 802-0  
info@pfeiffer-vacuum.de

[www.pfeiffer-vacuum.com](http://www.pfeiffer-vacuum.com)

All data subject to change without prior notice.

**PFEIFFER**  **VACUUM**