



# Vibration damper for HiPace 60/80, DN 63 ISO-K

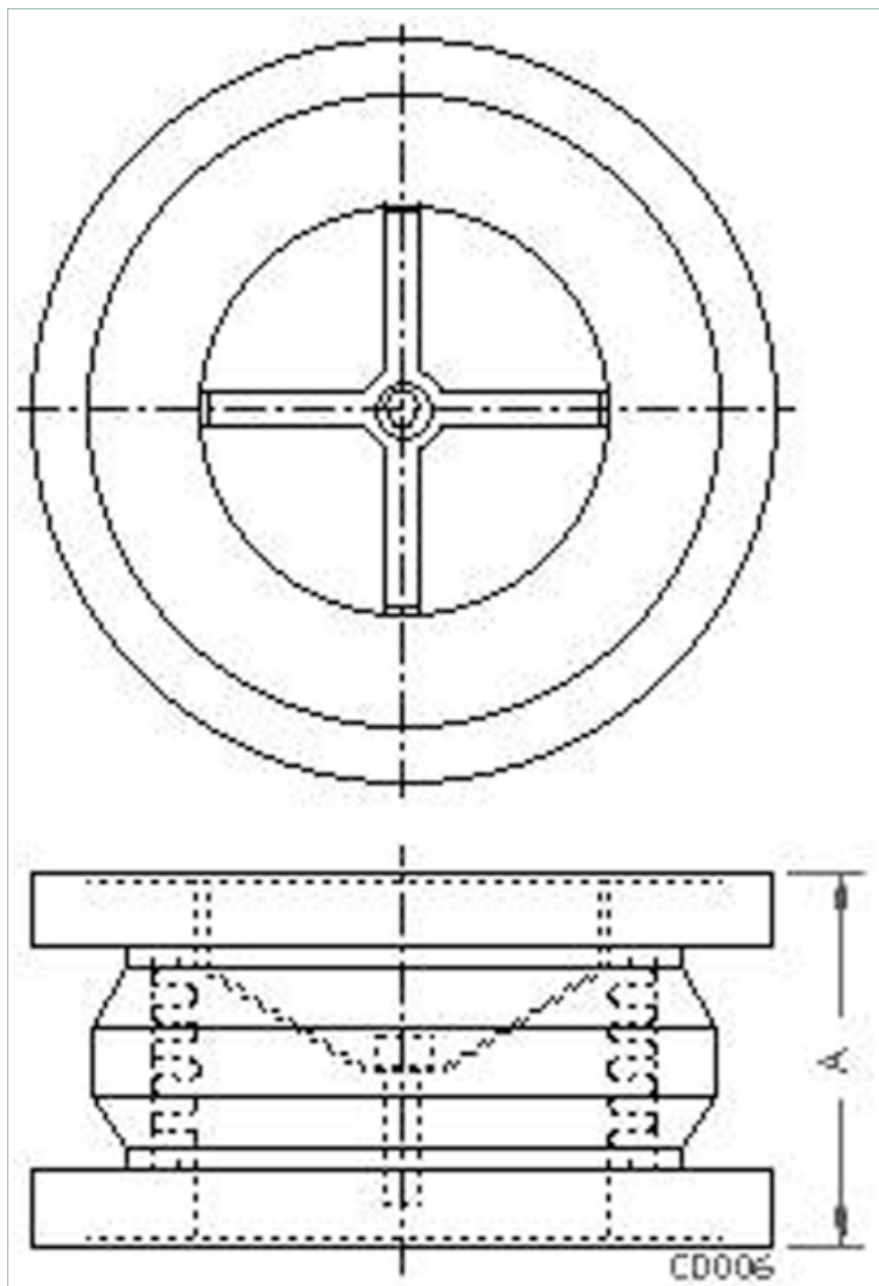


Similar Image

## Vibration damper for HiPace 60/80, DN 63 ISO-K

- Connection for DN 63 ISO-K with bracket screws
- Connection for DN 63 ISO-F with retaining ring
- Suitable for HiPace 60/80 and SplitFlow 50
- For the employment of turbopumps on systems and plants that are sensitive to vibration
- The flow resistance should be taken into account at the design of the pumping system
- Only vertical operation allowed
- Note: Fastening of the pump see operating instructions
- An additional pump mounting is required

### Dimensions



A 87 mm

<b>Technical Data</b>	<b>Vibration damper for HiPace 60/80, DN 63 ISO-K</b>
Flange	DN 63 ISO-K
<b>Order number</b>	
Vibration damper	<b>PM 006 800 -X</b>

## **VACUUM SOLUTIONS FROM A SINGLE SOURCE**

Pfeiffer Vacuum stands for innovative and custom vacuum solutions worldwide, technological perfection, competent advice and reliable service.

## **COMPLETE RANGE OF PRODUCTS**

From a single component to complex systems:

We are the only supplier of vacuum technology that provides a complete product portfolio.

## **COMPETENCE IN THEORY AND PRACTICE**

Benefit from our know-how and our portfolio of training opportunities!

We support you with your plant layout and provide first-class on-site service worldwide.

Are you looking for a  
perfect vacuum solution?  
Please contact us:

**Pfeiffer Vacuum GmbH**  
Headquarters · Germany  
T +49 6441 802-0  
info@pfeiffer-vacuum.de

[www.pfeiffer-vacuum.com](http://www.pfeiffer-vacuum.com)

All data subject to change without prior notice.

**PFEIFFER**  **VACUUM**