



Vibration damper for HiPace 60/80, DN 40 ISO-KF

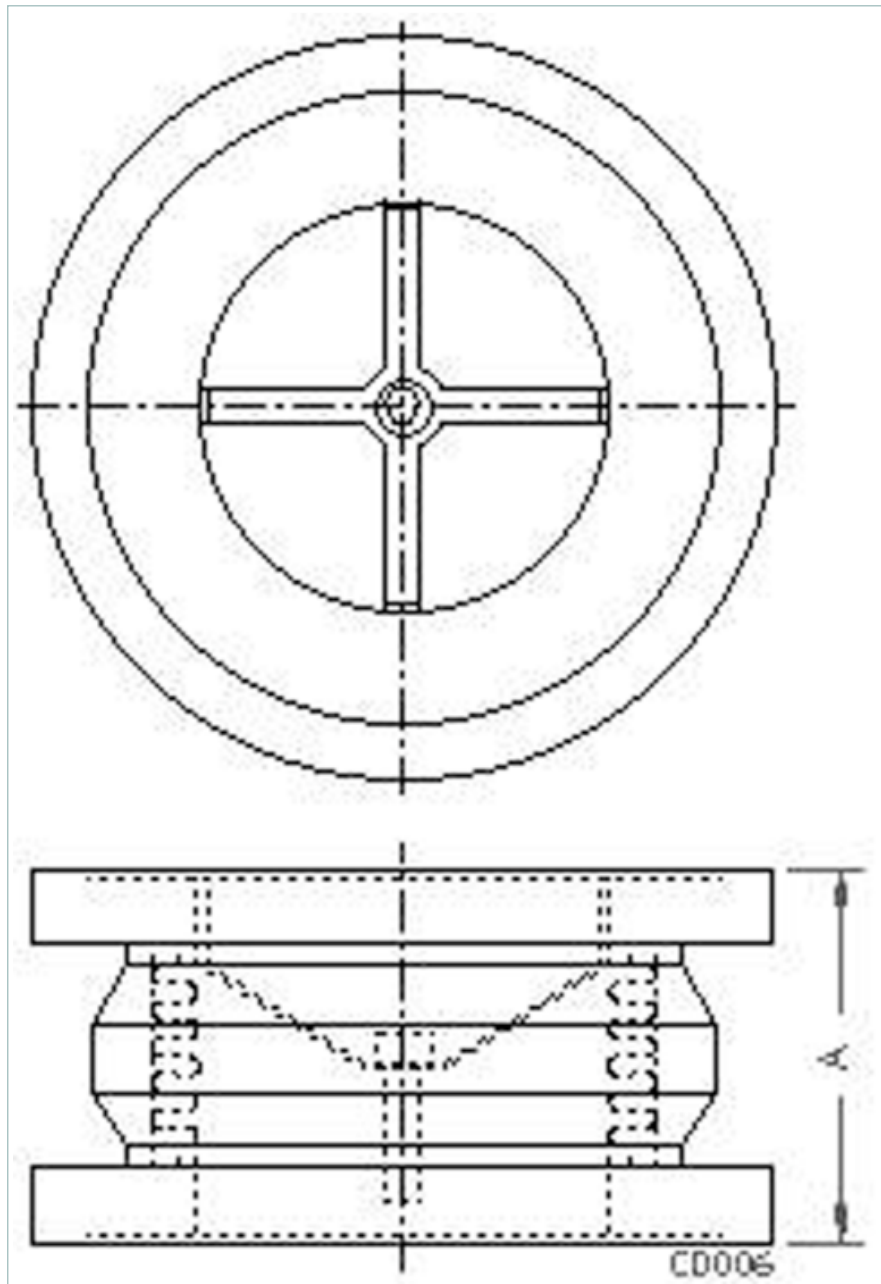


Similar Image

Vibration damper for HiPace 60/80, DN 40 ISO-KF

- Connection for DN 40 ISO-KF with clamping ring
- Suitable for HiPace 60/80
- For the employment of turbopumps on systems and plants that are sensitive to vibration
- The flow resistance should be taken into account at the design of the pumping system
- Only vertical operation allowed
- Note: Fastening of the pump see operating instructions
- An additional pump mounting is required

Dimensions



A 85 mm

Technical Data	Vibration damper for HiPace 60/80, DN 40 ISO-KF
Flange	DN 40 ISO-KF
Order number	
Vibration damper	PM 006 799 -X

VACUUM SOLUTIONS FROM A SINGLE SOURCE

Pfeiffer Vacuum stands for innovative and custom vacuum solutions worldwide, technological perfection, competent advice and reliable service.

COMPLETE RANGE OF PRODUCTS

From a single component to complex systems:

We are the only supplier of vacuum technology that provides a complete product portfolio.

COMPETENCE IN THEORY AND PRACTICE

Benefit from our know-how and our portfolio of training opportunities!

We support you with your plant layout and provide first-class on-site service worldwide.

Are you looking for a
perfect vacuum solution?
Please contact us:

Pfeiffer Vacuum GmbH
Headquarters · Germany
T +49 6441 802-0
info@pfeiffer-vacuum.de

www.pfeiffer-vacuum.com

All data subject to change without prior notice.

PFEIFFER  **VACUUM**