



**PrismaPro<sup>®</sup> QMG 250 F3, 1 – 300 u,  
open ion source, tungsten, I/O-  
option: Standard**

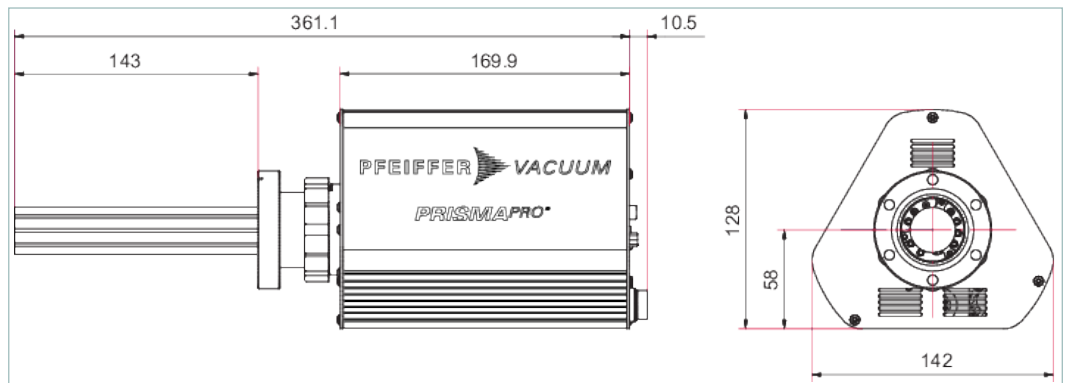


Similar Image

## PrismaPro® QMG 250 F3, 1 – 300 u, open ion source, tungsten, I/O-option: Standard

- PV MassSpec software for Windows 10, 8.1 & 7 for recording, saving and displaying measured data
- Leak detection and vacuum diagnosis with a click
- Easy definition of measurement recipes
- Low detection limit

### Dimensions



Technical Data	PrismaPro® QMG 250 F3, 1 – 300 u, open ion source, tungsten, I/O-option: Standard
Ambient temperature: analyzer	200 °C   392 °F   473 K
Bakeout temperature: analyzer	300 °C   572 °F   573 K
Connection	0°
Connection flange (in)	DN 40 CF-F
Contribution to neighboring mass: 40 to 41	50 ppm
Detection limit	7 · 10 <sup>-13</sup> hPa   5.25 · 10 <sup>-13</sup> Torr   7 · 10 <sup>-13</sup> mbar
Detector	Faraday
Filament	Tungsten
I/O interfaces	Standard interface
Input: Analog	1x ± 10 V / 12 Bit
Input: Digital	2x, 24 V
Ion source	Open, 2 filaments
Mass range	1 – 300 u
Measuring speed	1 ms/u - 16 s/u
Mounting orientation	Arbitrary
Operating pressure max.	5E-4 hPa
Peak ratio reproducibility	0.5 %
Relay: Number	1 Pcs.
Resolution, adjustable at 10 % peak height	0.5 – 2.5 u
Rod system: Diameter	6 mm   0.24 inch
Rod system: Length	125 mm   4.92 inch
Sensitivity for Ar	3 · 10 <sup>-4</sup> A/hPa
Supply: Voltage V AC	100 – 240 V AC
Temperature: Storage	-25-70 °C   -13-158 °F   248-343 K
Weight	2.5 kg   5.51 lb

### Order number

PrismaPro® QMG 250 F3

PT M15 311 210

## **VACUUM SOLUTIONS FROM A SINGLE SOURCE**

Pfeiffer Vacuum stands for innovative and custom vacuum solutions worldwide, technological perfection, competent advice and reliable service.

## **COMPLETE RANGE OF PRODUCTS**

From a single component to complex systems:

We are the only supplier of vacuum technology that provides a complete product portfolio.

## **COMPETENCE IN THEORY AND PRACTICE**

Benefit from our know-how and our portfolio of training opportunities!

We support you with your plant layout and provide first-class on-site service worldwide.

Are you looking for a  
perfect vacuum solution?  
Please contact us:

**Pfeiffer Vacuum GmbH**  
Headquarters · Germany  
T +49 6441 802-0  
info@pfeiffer-vacuum.de

[www.pfeiffer-vacuum.com](http://www.pfeiffer-vacuum.com)

All data subject to change without prior notice.

**PFEIFFER**  **VACUUM**