

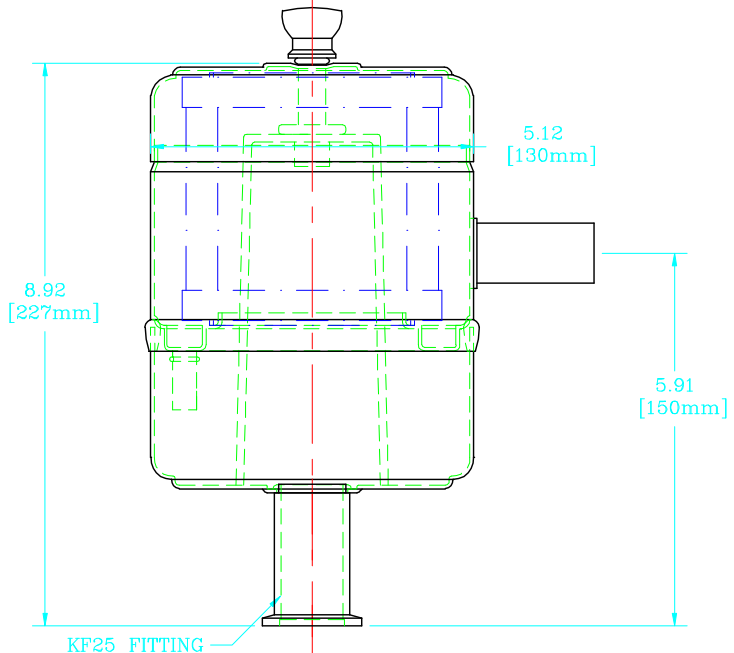
4

3

2

1

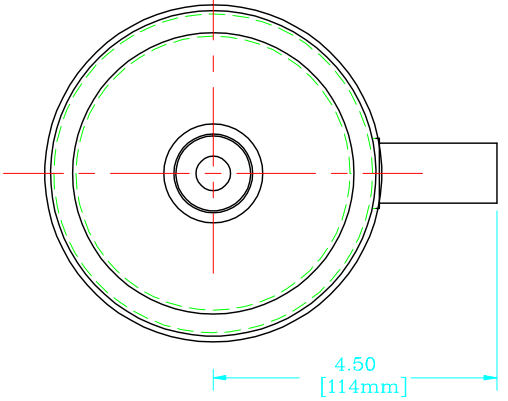
| ZONE REV | | DESCRIPTION | REVISIONS | | | |
|----------|-----|-------------|-----------|--------|------|-------|
| ZONE | REV | DESCRIPTION | ECN # | CHG BY | DATE | APP'D |



KF25 FITTING

| REPLACEMENT ELEMENT# | FG9 |
|----------------------|-------------|
| MATERIAL | COALESCING |
| CFM FLOW | 16 |
| SURFACE AREA | 3.5 SQ. FT. |
| I.D. | 3.00 |
| O.D. | 4.00 |
| HEIGHT | 4.00 |

| MODEL# | HOUSING MATERIAL | FINISH |
|---------------|------------------|---------------|
| EFDB-FG9-KF25 | CARBON STEEL | NICKEL CHROME |



4.50 [114mm]

The information contained herein is confidential and the property of Solberg Manufacturing Inc. and it is furnished to you with the expressed understanding that it will not be reproduced, copied in any manner, loaned or otherwise transferred to others entirely or in part, nor used for any purpose other than for which it was furnished. It will be returned upon request to Solberg Manufacturing Inc. The above restriction is in addition to, and does not in any way alter, any other restrictions which may apply to the information contained herein. The Illinois Circuit Court, Cook County Division has exclusive jurisdiction over any prosecution that may be necessary to uphold these restrictions.



SOLBERG MANUFACTURING INC.
1151 W. ARDMORE AVE.
ITASCA, IL 60143
630/773-1363

DESCRIPTION:
EFDB-FG9-KF25

UNLESS OTHERWISE SPECIFIED:
-DIMENSIONS ARE IN INCHES
-REF: APPROXIMATE DIMENSIONS, NO TOLERANCES APPLY
-TOLERANCES ARE:
DECIMALS: .XX ±.25
.XXX ±.125
ANGLES: ±2°

| SALES REP: E. NYSTROM | |
|-----------------------|----------|
| APPROVALS | DATE |
| DRAWN: JAM | 09/02/03 |
| APPROVED: E.N. | 09/05/03 |

| | | |
|-------------------------|---------------|--------------|
| SHEET: 1 of 1 | SHEET SIZE: C | SCALE: 1.5:1 |
| DRAWING NUMBER: SD11132 | | REV: — |

4

3

2

1