



A & J
VACUUM SERVICES, INC



EF SERIES

COMPACT OIL MIST EXHAUST FILTERS

APPLICATIONS & EQUIPMENT

VACUUM FURNACES & OVENS
VACUUM FREEZE DRYING & OUTGASSING
CUSTOM VACUUM PUMPING SYSTEMS
VACUUM DRYING
VACUUM METALLIZING

LAB INDUSTRY
SEMICONDUCTORS
AIR CONDITIONING
REFRIGERATION
VACUUM COATING

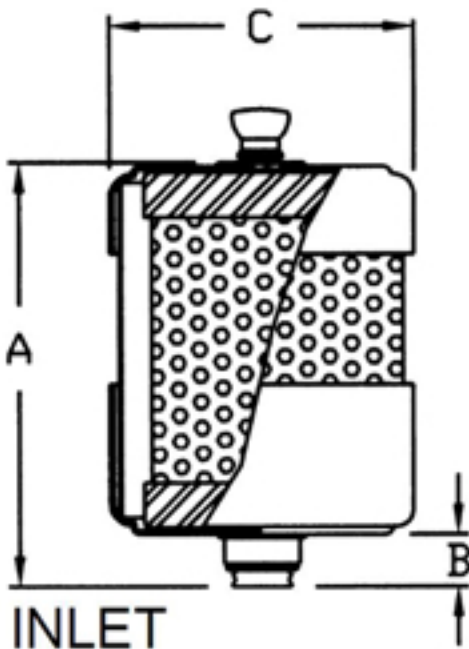
LEAK DETECTORS
ELECTRONIC TUBE EVACUATION
AUTOCLAVING, STERILIZATION

FEATURES & SPECIFICATIONS

CAPTURES OIL FOG, MIST OR SMOKE FROM EXHAUST
EASY THUMBSCREW ACCESS FOR MAINTENANCE
MINIMUM 99.97% D.O.P. ON 0.3 MICRON PARTICLES

STEEL CONSTRUCTION / NICKEL PLATED FINISH
SEAMLESS DRAWN HOUSING
TEMP: MIN 40 F / MAX 220 F

CONFIGURATION



MODEL NO.	CONNECTION	DIMENSIONS (MM)			SCFM RATED FLOW
		A	B	C	
EF-FG5-NW16	KF FLANGE	4.5	7/8	2.5	4.5
EF-FG10-KF25	KF FLANGE	9.25	2.125	5.125	24
EF-FG20-KF40	KF FLANGE	7.5	2.125	10.25	44
EF-FG24-KF40	KF FLANGE	9.25	2.125	10.25	55
EF-FG3-077	20 FINE THREAD	3.25	1	2.5	4
EF-FG5-050	MPT	4	.875	2.5	4.5
EF-FG5-075	MPT	4.125	1	2.5	4.5
EF-FG5-103	20 FINE THREAD	3.875	.875	2.5	4.5
EF-FG7-050	MPT	5.5	1	2.5	7
EF-FG7-075	MPT	6	1.5	2.5	7
EF-FG7-103	20 FINE THREAD	5	.875	2.5	7
EF-FG9-103	20 FINE THREAD	5.125	.875	5.125	16
EF-FG10-103	20 FINE THREAD	8	.875	5.125	24
EF-FG10-177	20 FINE THREAD	8.875	1.75	5.125	24