

T-STATION 75 TURBOPUMPING STATION

The T-Station 75 is Edwards' new entry level Turbopumping system. It combines our proven EXT75DX with a choice of either an oil sealed E2M1.5 backing pump or an XDD1 diaphragm pump where a totally dry system is desired.



The T-Station comes with our new TAG (Turbo and Active Gauge) controller fitted as standard which enables single button start/stop of the system, the ability to control one of our Active Gauges*, vent valve* control and delayed start of the turbopump to either time or pressure if a gauge is fitted, making the T-Station ideal for general laboratory needs.

* Gauges and TAV5 vent valve must be purchased separately

Features and Benefits

New custom TAG (Turbo & Active Gauge) controller features:

- Single dedicated button to start/stop pumps for easy automated operation
- Turbo speed as a percentage for easy to read accurate display
- Ability to control 1 Active gauge including APG100, AIM, ASG or WRG and choice of units meaning no extra cost for gauge display
- Delayed turbo start to either time, or where a gauge is fitted to pressure allows automated start-up for larger systems
- Ability to select vent mode where a TAV5 vent valve is fitted for automated venting with no user intervention

E2M1.5 or XDD1 high capacity backing pumps giving the choice between an oil sealed pump or a totally dry diaphragm pump

Available with either an NW40, ISO63 or CF63 inlet flange to suit your application



TAV5 vent valve can be plugged directly into DX podule and controller allows selection of 3 modes for maximum flexibility:

- Controlled vent, from 100% then hard vent at 50% speed
- Hard vent at 50% speed
- Fan (continuous power to socket, for use with an air cooler for remote pump mounting, or where venting is not required for an application)

Base plate includes rubber feet and cut-outs in the sides for manual handling giving a compact low profile but stable design that can't be knocked over

Integrated air cooler acts to cool internal power supply and pump/controller for quiet operation avoiding multiple fans

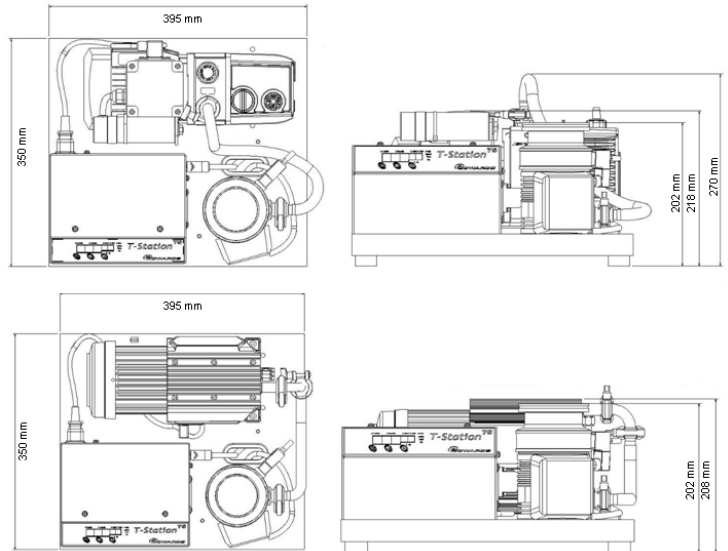
All metal frame means rugged design that can take abuse without cracking or breaking

T-STATION 75 TURBOPUMPING STATION

Technical Data

Pumping speed for N ₂	
NW40	42 l/s
ISO/CF63	61 l/s
Compression ratio for N ₂	
	>1 x 10 ¹¹
Backing pump speed @50Hz	
E2M1.5 (TS75W)	1.6 m ³ /hr
XDD1 (TS75D)	1.2 m ³ /hr
Ultimate Pressure	
	<5 x 10 ⁻⁸ mbar
Inlet flange	
	NW40, ISO63 or CF63
Exhaust flange	
E2M1.5 (TS75W)	11mm OD nozzle or 3/8" BSP
XDD1 (TS75D)	Fitted silencer or 1/8" BSP
Mass	
E2M1.5 system (TS75W)	21 kg max
XDD1 system (TS75D)	17kg max
Noise level	
	56 dB(A)
Leak tightness	
	<1 X 10 ⁻⁶ mbarl/s
Operating temperature range	
	12 to 40 °C

Dimensions



Ordering Information

Product Description	Order Number
T-Station 75W NW40 200-230V	TS75W1001
T-Station 75W ISO63 200-230V	TS75W2001
T-Station 75W CF63 200-230V	TS75W3001
T-Station 75D NW40 200-230V	TS75D1001
T-Station 75D ISO63 200-230V	TS75D2001
T-Station 75D CF63 200-230V	TS75D3001
Model EMF3 mist filter for E2M1.5 pump	A46220000
TAV5 solenoid operated vent valve	B58066010
2m electrical supply cable UK plug 10A	A50505000
2m electrical supply cable North European plug	A50506000
2m electrical supply cable USA/Japan plug	A50507000
2m electrical supply cable no plug	A50508000

Product Description	Order Number
T-Station 75W NW40 100-120V	TS75W1002
T-Station 75W ISO63 100-120V	TS75W2002
T-Station 75W CF63 100-120V	TS75W3002
T-Station 75D NW40 100-120V	TS75D1002
T-Station 75D ISO63 100-120V	TS75D2002
T-Station 75D CF63 100-120V	TS75D3002
APG100-XLC Active Pirani Gauge NW16	D02603000
APGX-H Active Linear Convection Gauge NW16	D02391000
AIM-H Active Inverted Magnetron Gauge NW25	D14642000
WRG-S Active Wide Range Gauge NW25	D14701000
0.5m Active Gauge Cable	D40001005
1m Active Gauge Cable	D40001010

Global Contacts

EUROPE

UK Crawley +44 1293 528844
 UK Local Rate (UK only) 08459 212223
 Belgium Brussels +32 2 300 0730
 France Paris +33 1 4121 1256
 Germany Munich 0800 000 1456
 Italy Milan +39 02 48 4471

USA

Toll free (USA only) +1 800 848 9800

BRAZIL

Sao Paulo +55 11 3952 5000

ISRAEL

Qiryat-Gat +972 8 681 0633

ASIA PACIFIC

China, Shanghai +86 21 5866 9618
 India, Pune +91 20 4075 2222
 Japan, Yachiyo +81 47 458 8831
 Korea, Bundang +82 31 716 7070
 Singapore +65 6546 8408
 Taiwan R.O.C. Jhunan Town +886 3758 1000