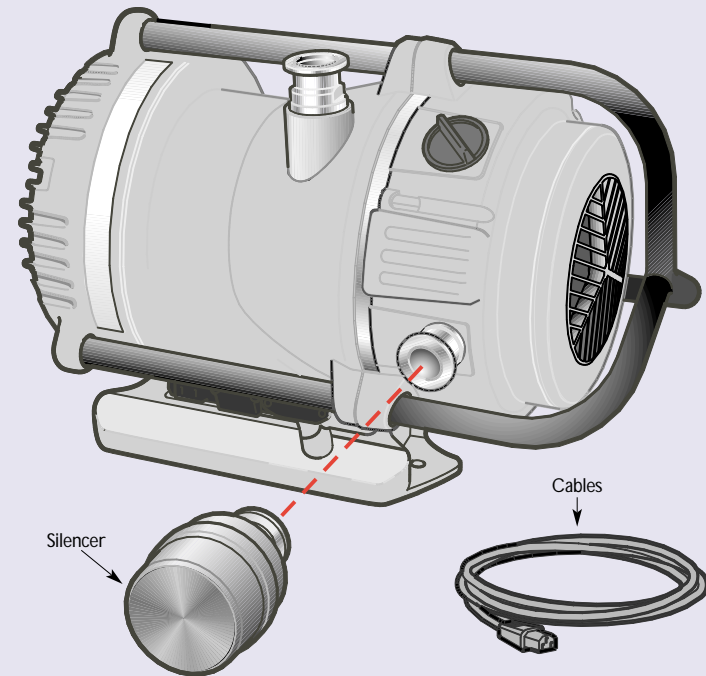


## Ordering details

Description	Ordering Number	Description	Ordering Number
<b>XDS5</b> XDS5 1ph, 115V/230V 50/60Hz set to 230V	A72401903	<b>XDS35i</b> XDS35i 100-120/200-230V/50/60HZ set to 230v	A73001983
XDS5 1ph, 100/200V set to 200V	A72401904		
XDS5 3ph, 200-220/380-415V 50Hz	Contact BOC Edwards	<b>Cord Sets</b> UK, three pin plug	A50505003
XDS5 1ph, 115V/230V 50/60Hz set to 115V	A72401906	North European plug	A50506003
		North American plug	A50507003
<b>XDS10</b> XDS10 1ph, 115V/230V 50/60Hz set to 230V	A72601903	<b>Silencer</b> Silencer for XDS35i	A50597001
XDS10 1ph, 100/200V set to 200V	A72601904	<b>Vibration Isolators</b> Vibration isolators for XDS35i	A24801408
XDS10 3ph, 200-220/380-415V 50Hz	Contact BOC Edwards	<b>Spare Parts</b> Tip seal kit	A73001801
XDS10 1ph, 115V/230V 50/60Hz set to 115V	A72601906	Reducing piece NW40/25	C10516439
		Centering ring & Oring NW25	C10514395
<b>Cord Sets</b> UK, three pin plug	A50505000	Clamp - NW25	C10514401
North European plug	A50506000	<b>Gas Ballast Adaptor</b> Kit for XDS5, XDS10, XDS35i	A50626801
North American plug	A50507000		
<b>Silencer</b> Silencer for XDS5 and XDS10	A50597000		
<b>Vibration Isolators</b> XDS5 and XDS10	A24801404		
<b>Spare Parts</b> Tip seal kit	A72601805		

## Accessories



BOC Edwards is a world leader in process equipment, materials and services for electronics, industrial and scientific applications. Our aim is to offer customers solutions that result in a measurable improvement in productivity.

### BOC EDWARDS PRODUCTS AND SERVICES

#### BULK GASES

#### ELECTRONIC MATERIALS

#### CHEMICAL MANAGEMENT

#### VACUUM PUMPS & SYSTEMS

#### EXHAUST MANAGEMENT

#### WASTE MANAGEMENT

#### COATING SYSTEMS

#### PRESSURE BLOWERS

#### PHARMACEUTICAL SYSTEMS

#### THERMAL MANAGEMENT

#### INSTRUMENTATION

#### DESIGN & PROJECT MANAGEMENT

#### COMPONENT CLEANING

#### ON-SITE SERVICE

#### EQUIPMENT MAINTENANCE & REMANUFACTURE

#### E-DIAGNOSTICS

#### EH&S SERVICES

#### TRAINING

### CORPORATE HEADQUARTERS

BOC Edwards  
Manor Royal  
Crawley  
West Sussex RH10 9LW  
United Kingdom

T +44 (0) 1293 528 844  
F +44 (0) 1293 533 453

### EUROPE

UK Crawley +(44) 1293 528844  
UK Clevedon +(44) 1275 337100  
BELGIUM Brussels +(32) 2 363 0030  
FRANCE Paris +(33) 1 47 98 24 01  
FRANCE Roubaix +(33) 3 20 45 39 39  
GERMANY Munich +(49) 89 99 19 18 0  
ITALY Milan +(39) 02 48 4471

### USA

WILMINGTON, MA +(1) 978 658 5410  
TOLL FREE (USA only) +(1) 800 848 9800  
SANTA CLARA, CA +(1) 408 496 1177  
TEMPE, AZ +(1) 480 777 7007  
AUSTIN, TX +(1) 512 416 0102

### CANADA

MISSISSAUGA +(1) 800 387 4076

Visit the BOC Edwards website at:  
[www.bocedwards.com](http://www.bocedwards.com)

Or email us at:  
[info@bocedwards.com](mailto:info@bocedwards.com)

BOC Edwards is a trading name used by affiliate companies of the BOC Group plc.  
The stripe symbol is a trademark of the BOC Group plc.  
Publication no: A726 05 895

### BRAZIL

SAO PAULO +(55) 11 3952 5000

### ASIA PACIFIC

CHINA Shanghai +(86) 21 5866 9618  
CHINA Tianjin +(86) 22 2834 1981  
TAIWAN Taitung Town, R.O.C +(886) 37 611 422  
SINGAPORE +(65) 546 8408

### KOREA

BUNDANG +(82) 31 716 7070

### JAPAN

TOKYO (Vacuum/Abatement) +(81) 3 5470 6530  
TOKYO (Electronic Gases) +(81) 3 3434 6789  
OSAKA +(81) 6 384 7052  
KYUSHU +(81) 96 326 7300  
SENDAI +(81) 22 373 8525

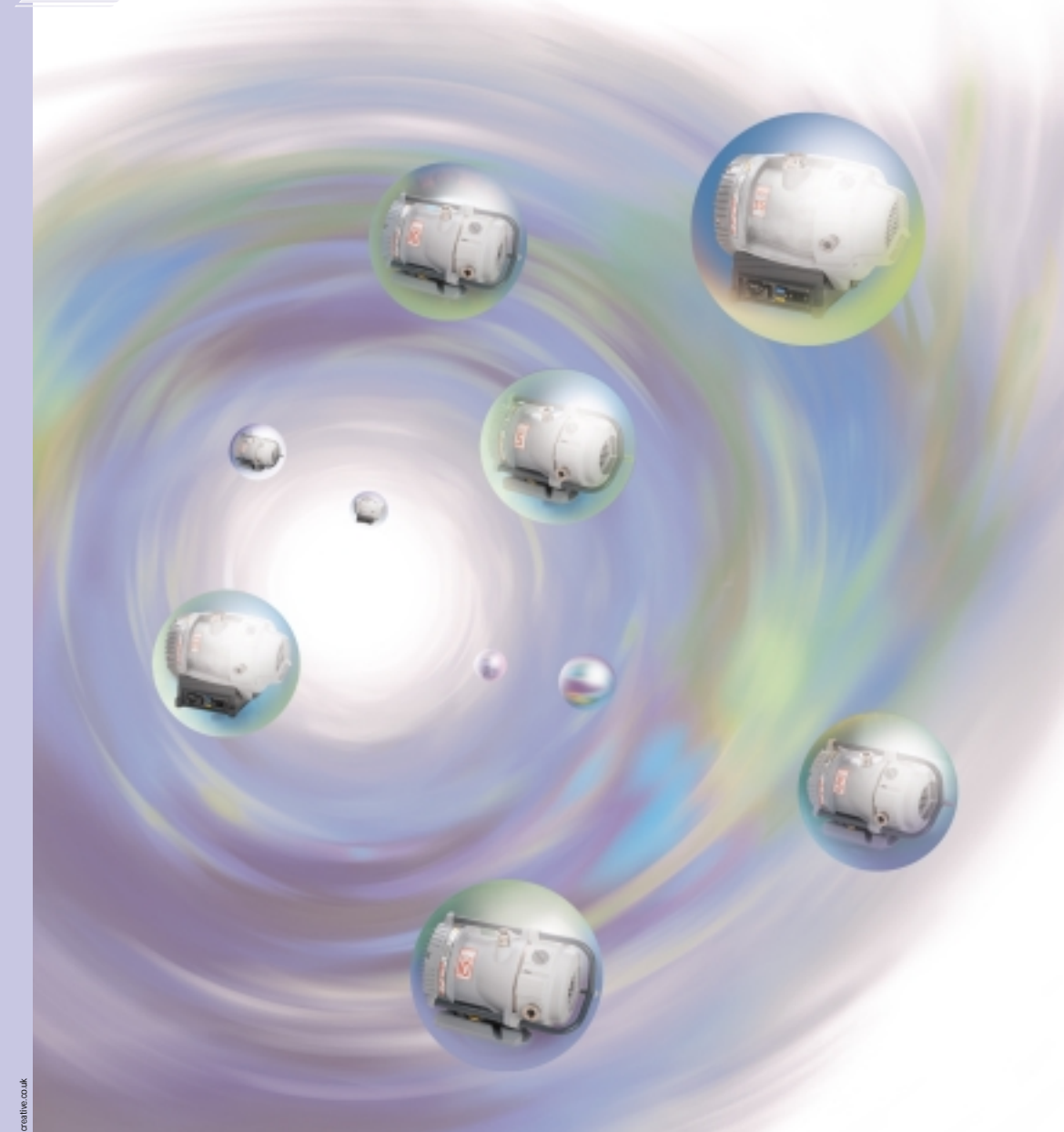
### INDIA

NEW DELHI +(91) 11 237 33087

### ISRAEL

QIRYAT GAT +(972) 8 681 0633

# XDS Dry Scroll Pumps



www.bocedwards.com

 BOC EDWARDS

 **BOC EDWARDS**  
for Better Process Results



# Unique design that sets the industry standard

BOC Edwards' 30 years of experience in scientific applications affords us a deep understanding of research practices and the critical role that vacuum plays within them. From this platform, and through collaboration with the major analytical instrument manufacturers, we develop and support innovative vacuum products that underpin the customer's entire research process.

The XDS range is a unique award winning dry pumping technology. It is designed to provide a robust and clean dry pumping solution for all applications.

All pumps in the range are approved to UL and CSA standards and backed by BOC Edwards' worldwide service and support.

## Typical Applications

Instrumentation	XDS5	XDS10	XDS35i
Analytical instruments - GCMS	●		
Analytical instruments - LCMS		●	●
Automotive	●	●	●
Beam lines and high energy physics	●	●	●
Centrifuges, ultra-high speed	●	●	●
Coating	●	●	●
Cryogenics	●	●	●
Degassing/curing - oil, epoxy resin	●	●	●
Distillation/extraction/filtration	●	●	●
Freeze drying	●	●	●
Furnaces	●	●	●
Gas bottle filling/emptying			●
Gel drying	●	●	●
Glove boxes, ovens		●	●
Laboratory bench top vacuum	●	●	●
<b>General</b>			
Lasers, gas recovery and re-circulation	●	●	●
Leak detectors, Helium	●	●	●
Load locks and transfer chambers	●	●	●
Rare gas re-circulation	●	●	●
Rare gas recovery	●	●	●
Refrigeration manufacture	●	●	●
Research and development	●	●	●
Rotary, centrifugal evaporators	●	●	●
Scanning electron microscopes - SEM	●	●	●
SEM/FIB (ion beam repair)	●	●	●
Solvent recovery	●	●	●
Surface science instruments	●	●	●
Turbomolecular backing pumps	●	●	●

### Patented bearing shield

Totally clean and dry vacuum  
No bearings or grease in the vacuum space  
No shaft seals, no bearing purges  
Simple single sided scroll design  
Tip seal change in 20 minutes  
No special tools required

### Integral IEC 60320 connector

No customer wiring

### Motor on/off switch

Ease of control

### Dual voltage/frequency motor with external change-over switch

Simple voltage selection, less world-wide stock

### Selectable gas ballast position

No permanent gas ballast leak  
Large water vapor handling capacity

### Inverter driven motor (XDS35i)

Worldwide voltage, low power consumption  
Pump overload protection  
Remote on/off control capability  
Remote speed selection capability

All pumps externally approved to EN61010, CSA C22.2 1010, UL 61010 standards

Ease of incorporating pump into approved systems, safe product

### Pancake motor

Unique design, low power  
Compact product, low noise levels



Manufactured under ISO 9001 standard  
High quality product

Manufactured under ISO 14001 standard  
Environmentally friendly processes

### Award winning

Millennium R&D Magazine  
100 Award Winner

## Dimensions

	A	B	C	D	E	F		A	B	C	D	E	F	
XDS5	427	249	288	210	180	297		XDS35i	476	290	397	212	195	353
XDS10	427	249	288	210	180	315								

All dimensions in mm

## Specifications

	Hz	Units	XDS 5	XDS 10	XDS 35i
<b>VACUUM DATA</b>					
Peak pumping speed <sup>1,2</sup>	60	cfm	3.5	6.5	21
	50	m <sup>3</sup> /h	4.8	9.3	35
Ultimate pressure (Total)	60	Torr	0.05	0.05	0.075
	50	mbar	0.07	0.07	0.01
Ultimate pressure GB I (Total)	50/60	Torr	0.09	0.09	0.015
		mbar	0.15	0.15	0.02
Ultimate pressure GB II (Total)	50/60	Torr	-	-	0.022
		mbar	-	-	0.03
High throughput mode	50/60	Torr	-	-	-
		mbar	-	-	-
Water vapor tolerance		Torr	38	23	
		mbar	50	35	
Water vapor capacity - GB I		g/h	70	70	70
Water vapor capacity - GB II		g/h	200	200	200
<b>MOTOR DATA</b>					
Motor rating 1 phase (nominal)	60	W	300	300	520
	50	W	300	300	520
Motor rating 3 phase		W	Note <sup>3</sup>	Note <sup>3</sup>	-
Nominal rotation speed	60	rpm	1800	1800	1800
	50	rpm	1500	1500	1800
<b>PHYSICAL DATA</b>					
Weight		lb	51	54	106
		kg	23	24.5	48
Length		inch	16.8	16.8	18.7
		mm	427	427	476
Width		inch	9.8	9.8	13.1
		mm	249	249	333
Height		inch	11.3	11.3	15.6
		mm	288	288	396
Inlet flange			NW25	NW25	NW40
Exhaust flange			NW25	NW25	NW25
Noise level	50/60 <sup>4</sup>	dBA	55	55	57
Leak tightness		mbar.l/s	<1x10 <sup>-6</sup>	<1x10 <sup>-6</sup>	<1x10 <sup>-6</sup>
Operating temperature range		°C	10 to 40	10 to 40	10 to 40

Notes: 1. XDS35i is inverter controlled, pre-set to 60 Hz.  
2. Pumping speed measured to PNEUROP 6602.

3. Contact BOC Edwards.  
4. XDS5/10 at 50 Hz. XDS35i at 60 Hz.