

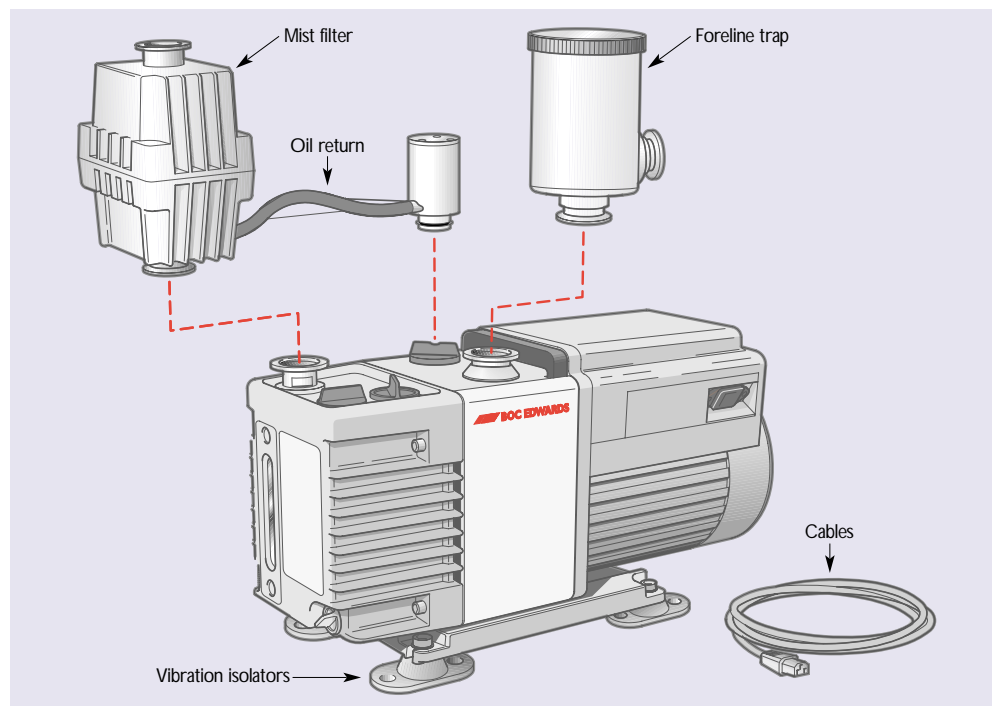
Ordering details

Description	Ordering Number	Ordering Number
	Ultragrade Oil	PFPE Oil
RV3 115/230V, 50/60Hz set to 230V	A65201903	A65209903
100/200V, 50/60Hz	A65201904	A65209904
200-220V/380-415V, 50Hz		
200-230/460V, 60Hz, 3 phase	A65201905	A65209905
115/230V, 50/60Hz set to 115V	A65201906	A65209906
RV5 115/230V, 50/60Hz set to 230V	A65301903	A65309903
100/200V, 50/60Hz	A65301904	A65309904
200-220V/380-415V, 50Hz		
200-230/460V, 60Hz, 3 phase	A65301905	A65309905
115/230V 50/60Hz set to 115V	A65301906	A65309906
RV8 115/230V, 50/60Hz set to 230V	A65401903	A65409903
100/200V, 50/60Hz	A65401904	A65409904
200-220V/380-415V, 50Hz		
200-230/460V, 60Hz, 3 phase	A65401905	A65409905
115/230V, 50/60Hz set to 115V	A65401906	A65409906
RV12 115/230V, 50/60Hz set to 230V	A65501903	A65509903
100/200V, 50/60Hz	A65501904	A65509904
200-220V/380-415V, 50Hz		
200-230/460V, 60Hz, 3 phase	A65501905	A65509905
115/230V, 50/60Hz set to 115V	A65501906	A65509906

Description	Ordering Number
Cord Sets UK, three pin plug	A50505000
North European plug	A50506000
North American plug	A50507000
Oil Ultragrade 19, 1 liter bottle	H11025015
Fomblin YVAC 06/6 1kg (532ml)	H11301019
Inlet accessories Foreline trap - FL20K	A13305000
Outlet accessories Oil mist filter - EMF10	A46226000
Oil mist filter - EMF20	A46229000
Oil returns Clean application (no gas ballast)	A50420000
Adjustable gas ballast	A50523000
Spare kits Clean and overhaul kit	A65201131

Note: All pumps supplied with initial charge of oil

Accessories



RV Rotary Vane Pumps

BOC Edwards is a world leader in process equipment, materials and services for electronics, industrial and scientific applications. Our aim is to offer customers solutions that result in a measurable improvement in productivity.

BOC EDWARDS PRODUCTS AND SERVICES

BULK GASES

ELECTRONIC MATERIALS

CHEMICAL MANAGEMENT

VACUUM PUMPS & SYSTEMS

EXHAUST MANAGEMENT

WASTE MANAGEMENT

COATING SYSTEMS

PRESSURE BLOWERS

PHARMACEUTICAL SYSTEMS

THERMAL MANAGEMENT

INSTRUMENTATION

DESIGN & PROJECT MANAGEMENT

COMPONENT CLEANING

ON-SITE SERVICE

EQUIPMENT MAINTENANCE & REMANUFACTURE

E-DIAGNOSTICS

EH&S SERVICES

TRAINING

CORPORATE HEADQUARTERS

BOC Edwards
Manor Royal
Crawley
West Sussex RH10 9LV
United Kingdom

T +44 (0) 1293 528 844
F +44 (0) 1293 533 453

EUROPE

UK Crawley +(44) 1293 528844
UK Clevedon +(44) 1275 337100
BELGIUM Brussels +(32) 2 363 0030
FRANCE Paris +(33) 1 47 98 24 01
FRANCE Roubaix +(33) 3 20 45 39 39
GERMANY Munich +(49) 89 99 19 18 0
ITALY Milan +(39) 02 48 4471

USA

WILMINGTON, MA +(1) 978 658 5410
TOLL FREE (USA only) +(1) 800 848 9800
SANTA CLARA, CA +(1) 408 496 1177
TEMPE, AZ +(1) 480 777 7007
AUSTIN, TX +(1) 512 416 0102

CANADA

MISSISSAUGA +(1) 800 387 4076

Visit the BOC Edwards website at:
www.bocedwards.com

Or email us at:
info@bocedwards.com

BOC Edwards is a trading name used by affiliate companies of the BOC Group plc.
The stripe symbol is a trademark of the BOC Group plc.
Publication no: A652 00 895

BRAZIL

SAO PAULO +(55) 11 3952 5000

ASIA PACIFIC

CHINA Shanghai +(86) 21 5866 9618
CHINA Tianjin +(86) 22 2834 1981
TAIWAN Tufen Town, R.O.C +(886) 37 611 422
SINGAPORE +(65) 546 8408

KOREA

BUNDANG +(82) 31 716 7070

JAPAN

TOKYO (Vacuum/Abatement) +(81) 3 5470 6530
TOKYO (Electronic Gases) +(81) 3 3434 6789
OSAKA +(81) 6 384 7052
KYUSHU +(81) 96 326 7300
SENDAI +(81) 22 373 8525

INDIA

NEW DELHI +(91) 11 237 33087

ISRAEL

QIRYAT GAT +(972) 8 681 0633

BOC EDWARDS

BOC EDWARDS
for Better Process Results



Proven performance that sets the industry standard

BOC Edwards' 30 years of experience in scientific applications affords us a deep understanding of research practices and the critical role that vacuum plays within them. From this platform, and through collaboration with the major analytical instrument manufacturers, we develop and support innovative vacuum products that underpin the customer's entire research process.

After 10 years, BOC Edwards RV pumps have become the industry standard vacuum pump for scientific primary pumping applications. RV pumps are unique in their capability to deliver high or low throughputs with ultimate high vacuum, which combined with ultra-low noise levels, makes them ideal for a wide range of applications and environments.

All pumps are approved to UL and CSA standards by an external test house. BOC Edwards has a global network, providing world-wide support for product applications and service.

Typical Applications

	RV 3/5	RV 8/12
Analytical instruments - GCMS	●	
Analytical instruments - LCMS		●
Centrifuges, ultra-high speed	●	●
Coating	●	●
Degassing/curing - oil, epoxy resin	●	●
Distillation/extraction/filtration	●	●
Freeze drying	●	●
Furnaces	●	●
Gas bottle filling/emptying	●	●
Gel drying	●	●
Glove boxes, ovens	●	●
Laboratory bench top vacuum	●	●
Leak detectors, Helium	●	●
Load locks and transfer chambers	●	●
Refrigeration manufacture	●	●
Research and development	●	●
Rotary, centrifugal evaporators	●	●
Scanning electron microscopes - SEM	●	●
SEM/FIB (ion beam repair)	●	●
Solvent recovery	●	●
Surface science instruments	●	●
Turbomolecular backing pumps	●	●

Adjustable gas ballast

Excellent water vapor handling capacity

Patented inlet valve

Smooth opening, fast closing

Integral air bleed

Quiet operation

Wide voltage motors

All major countries covered with less stock holding

Integral IEC 60320 connector

No customer wiring

Motor on/off switch

Easy controls

Patented mode switch

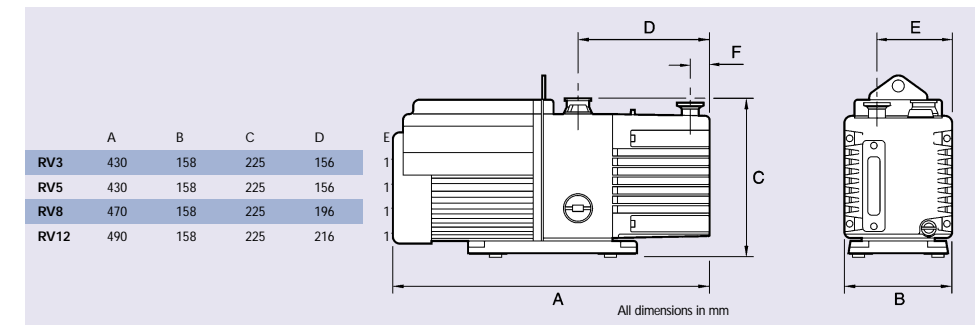
High vacuum or high throughput in one pump



All pumps externally approved to EN61010, CSA C22.2 1010, UL 61010 standards

Safe product

Dimensions



Specifications

	Hz	Units	RV 3	RV 5	RV 8	RV 12
VACUUM DATA						
Peak pumping speed	60	cfm	2.3	3.6	5.9	8.4
	50	m ³ /h	3.3	5.1	8.5	12
Ultimate pressure (Total)	60	Torr	1.5 x 10 ⁻³	1.5 x 10 ⁻³	1.5 x 10 ⁻³	1.5 x 10 ⁻³
	50	mbar	2.0 x 10 ⁻³	2.0 x 10 ⁻³	2.0 x 10 ⁻³	2.0 x 10 ⁻³
Ultimate pressure GB I (Total)	50/60	Torr	2.3 x 10 ⁻²	2.3 x 10 ⁻²	2.3 x 10 ⁻²	2.3 x 10 ⁻²
		mbar	3.0 x 10 ⁻²	3.0 x 10 ⁻²	3.0 x 10 ⁻²	3.0 x 10 ⁻²
Ultimate pressure GB II (Total)	50/60	Torr	9.1 x 10 ⁻²	9.1 x 10 ⁻²	4.6 x 10 ⁻²	9.1 x 10 ⁻²
		mbar	1.2 x 10 ⁻¹	1.2 x 10 ⁻¹	6.0 x 10 ⁻²	1.2 x 10 ⁻¹
High throughput mode	50/60	Torr	2.3 x 10 ⁻²	2.3 x 10 ⁻²	2.3 x 10 ⁻²	2.3 x 10 ⁻²
		mbar	3.0 x 10 ⁻²	3.0 x 10 ⁻²	3.0 x 10 ⁻²	3.0 x 10 ⁻²
Water vapor tolerance		Torr	60	38	38	24
		mbar	80	50	60	32
Water vapor capacity - GB I		g/h	60	60	60	60
Water vapor capacity - GB II		g/h	220	220	220	290

MOTOR DATA						
Motor rating 1 phase (nominal)	60	W	300	300	550	550
	50	W	250	250	450	450
Motor rating 3 phase		W				
Nominal rotation speed	60	rpm	1800	1800	1800	1800
	50	rpm	1500	1500	1500	1500

PHYSICAL DATA						
Weight		lb	47.5	47.5	57	58
		kg	21.5	21.5	26	26.3
Length		inch	16.9	16.9	18.5	19.3
		mm	430	430	470	490
Width		inch	6.2	6.2	6.2	6.2
		mm	158	158	158	158
Height		inch	8.9	8.9	8.9	8.9
		mm	225	225	225	225

Oil capacity		liters	0.7	0.7	0.75	1
Oil type (Ultragrade)			19	19	19	19
Inlet flange			NW25	NW25	NW25	NW25
Exhaust flange			NW25	NW25	NW25	NW25
Noise level	50	dBA	48	48	48	48
Operating temperature range		°C	12 to 40	12 to 40	12 to 40	12 to 40