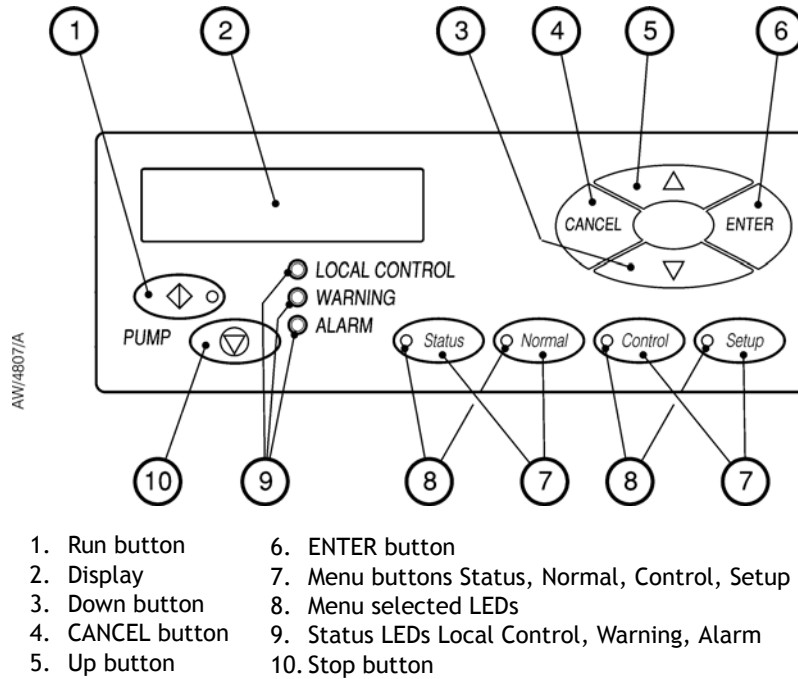


Figure 7 - End User Controller (EUC) display



1.5 Connections

Refer to Table 2 and Figure 4.

1.6 Control and monitoring

The EPX L and N series of pumps cannot be manually operated; they must be controlled and monitored by external control equipment, which must be connected to the EPX pump through the TIM (Figure 2, item 5).

The EPX E series of pumps can be manually operated using the EUC local display and keypad, or remotely using a PDT, if fitted; it can also be controlled and monitored over the network, which connects to the EPX pump through the Network connector (Figure 5, item 2). When the EPX 'E' series of pumps is controlled via the TIM, the EUC simply monitors the status of the pump.

The EPX pump is compatible with Fabworks 32.

1.7 EPX pump labels

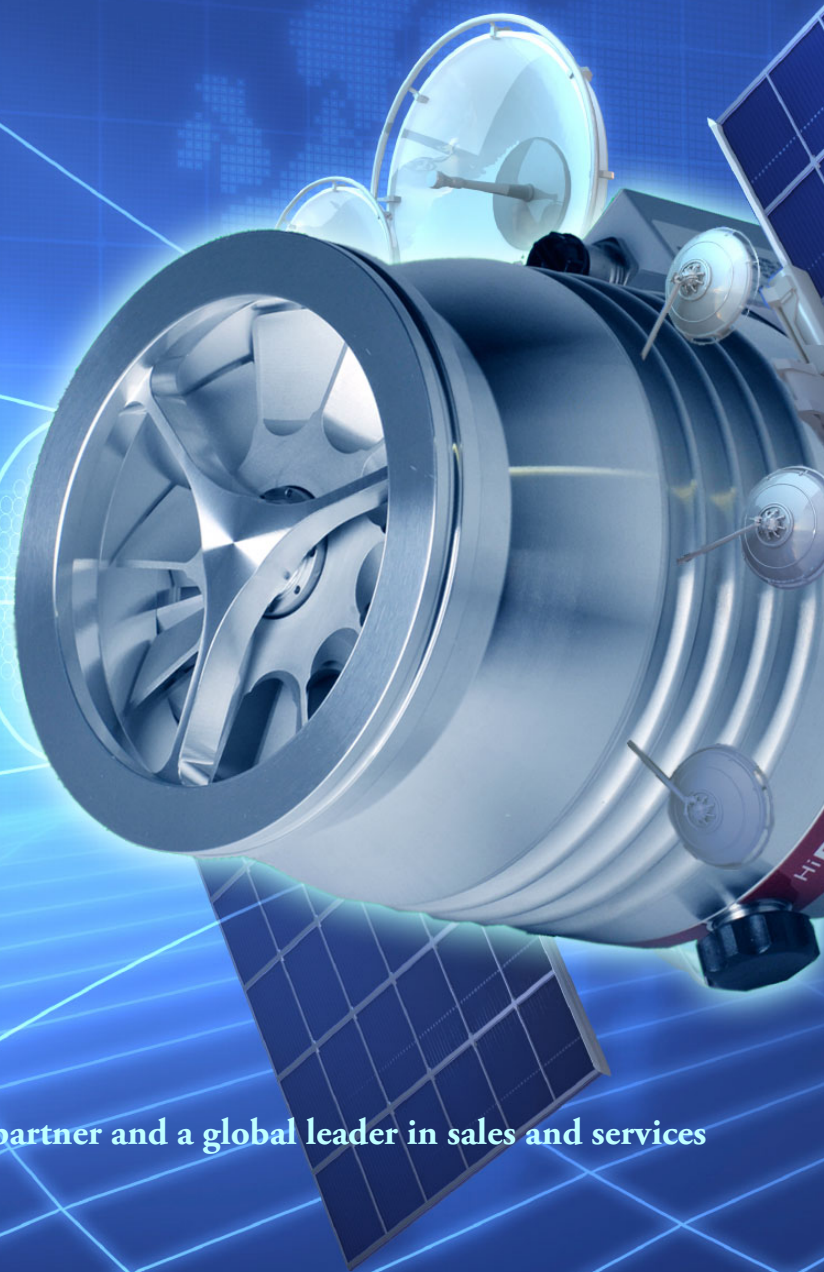
Refer to Table 3 and Figure 4.

1.855.882.2886



AJVS

www.ajvs.com



A&J Vacuum Services is your highly qualified partner and a global leader in sales and services of your High Vacuum equipment.

A&J Vacuum Services, Inc.
790 Bloomfield Ave., Suite B3
Clifton, NJ 07012, USA
Tel: 973-249-0854
Fax: 973-249-0855
Website: www.ajvs.com

Customer Service: info@ajvs.com
Sales Inquiries: sales@ajvs.com
Service Inquiries: service@ajvs.com
Technical Assistance: tech@ajvs.com
Order Status: tracking@ajvs.com