

Instruction Manual

EXT Compound Molecular Pumps: EXT70H, EXT70Hi, EXT250H and EXT250Hi*

Description

Item Number

EXT70H/ISO63

B722-21-000

EXT70H/63CF

B722-22-000

EXT70H/NW40

B722-23-000

EXT250Hi/ISO100

B740-01-000

EXT250H/100CF

B740-02-000

EXT250H/ISO100

B740-03-000

** The EXT70Hi pump is an EXT70H/ISO63 pump with an interstage-port accessory fitted.
Refer to the text of this instruction manual for more information.*



CONTENTS

Section	Title	Page
1	INTRODUCTION	1
1.1	Scope and definitions	1
1.2	General description	2
1.3	Vent options and vent control	5
2	TECHNICAL DATA	6
2.1	General	6
2.2	Pumping media	6
2.2.1	Pumps without gas purge	7
2.2.2	Pumps with gas purge (EXT250H and EXT250Hi only)	7
2.3	Vent gas specification and vent control data	7
2.4	Purge gas specification (EXT250H and EXT250Hi only)	7
2.5	Cooling-water	8
2.6	Materials exposed to gases pumped	11
3	INSTALLATION	14
3.1	Unpack and inspect	14
3.2	Typical installation	14
3.3	Connect to the vacuum system	17
3.3.1	Inlet-screen	17
3.3.2	Mechanical fixing	17
3.3.3	Base mounting	18
3.3.4	Inlet connection and orientation	18
3.3.5	Backing connection	19
3.3.6	Interstage connection (EXT70Hi and EXT250Hi only)	19
3.4	Vent-valve connection and control	19
3.5	Purge gas connection (EXT250H and EXT250Hi only)	20
3.5.1	Connect the purge gas	20
3.5.2	Recommended purge gas flow	21
3.6	Electrical installation	21
3.6.1	EXC Controller	21
3.6.2	EXDC Drive Module	21
3.7	Cooling	22
3.7.1	Introduction	22
3.7.2	Forced-air cooling	22
3.7.3	Water-cooling	22
4	OPERATION	24
4.1	Start-up	24
4.2	Stand-by	25
4.3	Shut-down	25
4.4	Safety interlocks and control system	25
4.5	Bakeout	26
5	MAINTENANCE	27
5.1	Introduction	27
5.2	Bearing life	27

Section	Title	Page
5.3	Rotor life	27
5.4	Clean the pump	28
5.5	Fault finding	28
6	STORAGE AND DISPOSAL	33
6.1	Storage	33
6.2	Disposal	33
7	SERVICE, SPARES AND ACCESSORIES	34
7.1	Introduction	34
7.2	Service	34
7.3	Spares	34
7.3.1	ISX inlet-screen	34
7.3.2	Inlet-strainer (EXT250Hi pump only)	34
7.3.3	WCX water-cooler	35
7.3.4	Inlet-flange seals	35
7.4	Accessories	35
7.4.1	Installation	35
7.4.2	EXC Controller	35
7.4.3	Pump-to-controller cable	35
7.4.4	EXDC Drive Modules	36
7.4.5	BX bakeout band	36
7.4.6	FL20K foreline trap	36
7.4.7	TAV vent-valve and vent-port adaptor	36
7.4.8	ACX air-cooler	38
7.4.9	Vibration isolators	38
7.4.10	PRX purge-restrictor	38
7.4.11	VRX vent-restrictor	38
7.4.12	EXT70H/ISO63 interstage-port accessory kit	39

RETURN OF BOC EDWARDS EQUIPMENT

Illustrations

Figure	Title	Page
1	Cross-section view of EXT70H pump	3
2	Cross-section view of EXT250H pump	4
3	Maximum allowed rate of pressure rise during venting	8
4	EXT70H dimensions (mm)	12
5	EXT250H dimensions (mm)	13
6	Typical pumping system with an EXT70H or EXT250H pump	15
7	Typical pumping system with an EXT70Hi or EXT250Hi pump	16
8	Correct installation of the inlet-screen	17
9	Installation of optional accessories (and spares): EXT250Hi shown	37

Tables

Table	Title	Page
1	EXT70H/EXT70Hi technical data	9
2	EXT250H/EXT250Hi technical data	10
3	Cooling, noise and electrical data (all pumps)	11
4	Checklist of items	14
5	Vent-restrictor orifice diameter	20
6	Fault finding	29

Associated publications

Publication title	Publication Number
EXT Pump Accessories	D580-66-880
EXC Turbomolecular Pump Controllers: EXC120, EXC120E, EXC300 and EXC300M	D396-14-880
EXC Turbomolecular Pump Controllers: EXC100E and EXC100L	D396-20-880
EXDC Turbomolecular Pump Drive Modules: EXDC80 and EXDC160	D396-40-880
E2M0.7 Rotary Pump	A371-31-880
RV Rotary Vane Pumps	A652-01-880

This page intentionally blank.

1 INTRODUCTION

1.1 Scope and definitions

This manual provides installation, operation and maintenance instructions for the BOC Edwards EXT70H, EXT70Hi, EXT250H and EXT250Hi Compound Molecular Pumps. You must use the Pumps as specified in this manual. You cannot purchase an EXT70Hi pump; an EXT70Hi pump is an EXT70H/ISO63 pump fitted with an interstage-port accessory: see Section 7.

The EXT Compound Molecular Pumps are designed for use with a BOC Edwards EXC Turbomolecular Pump Controller (abbreviated to EXC Controller in the remainder of this manual) or an EXDC Turbomolecular Pump Drive Module (abbreviated to EXDC Drive Module in the remainder of this manual). Read this manual and the instruction manual supplied with your EXC Controller or EXDC Drive Module before you attempt to install or operate the equipment. The instruction manual supplied with your EXC Controller or EXDC Drive Module contains details of how to set up a pumping system and how to control accessories such as an air-cooler, vent-valve and bakeout band.

Important safety information in this manual is highlighted as WARNING and CAUTION instructions; you must obey these instructions. The use of WARNINGS and CAUTIONS is defined below.

WARNING

Warnings are given where failure to observe the instruction could result in injury or death to people.

CAUTION

Cautions are given where failure to observe the instruction could result in damage to the equipment, associated equipment and process.

In accordance with the recommendations of EN61010, the following warning symbols may appear on the pump or its accessories:



Caution - refer to accompanying documents.



Caution - hot surface.



Caution - risk of electric shock.



Protective conductor terminal.

The units used throughout this manual conform to the SI international system of units of measurement. Also throughout this manual, wherever flow rates are specified, the abbreviation 'sccm' is used to mean 'standard cm³ min⁻¹': this is a flow of 1 cm³ min⁻¹ at an ambient temperature of 0 °C and a pressure of 1013 mbar (1.013 x 10⁵ Pa).

1.2 General description

The EXT70H, EXT70Hi, EXT250H and EXT250Hi pumps are compound vacuum pumps that combine a turbomolecular pump and a drag pump on a single shaft. The internal structures of the EXT70H and EXT250H pumps are shown in Figures 1 and 2.

The turbomolecular pump is made from a multi-stage axial-flow turbine which is optimised for operation in molecular flow conditions. The drag pump is made from pumping channels formed by plane rotating disks. The drag pump is designed for operation at higher pressures than conventional turbomolecular pumps.

The light alloy rotor (13) is machined from one piece to form the angled blades of the turbomolecular pump and the disks of the drag pump. The rotor blades rotate between angled stator blades (12) which are supported by spacer rings (11). The rotor and stator blades have an open structure at the pump inlet, and a more closed structure at the outlet. This configuration gives an optimum combination of pumping speed and compression when pumping gases of both high and low molecular weight. For the blades to be effective, their speed must be close to the thermal velocity of the gas. The rotor of the EXT70H/Hi therefore rotates at up to 90000 r min^{-1} , and the rotor of the EXT250H/Hi therefore rotates at up to 60000 r min^{-1} .

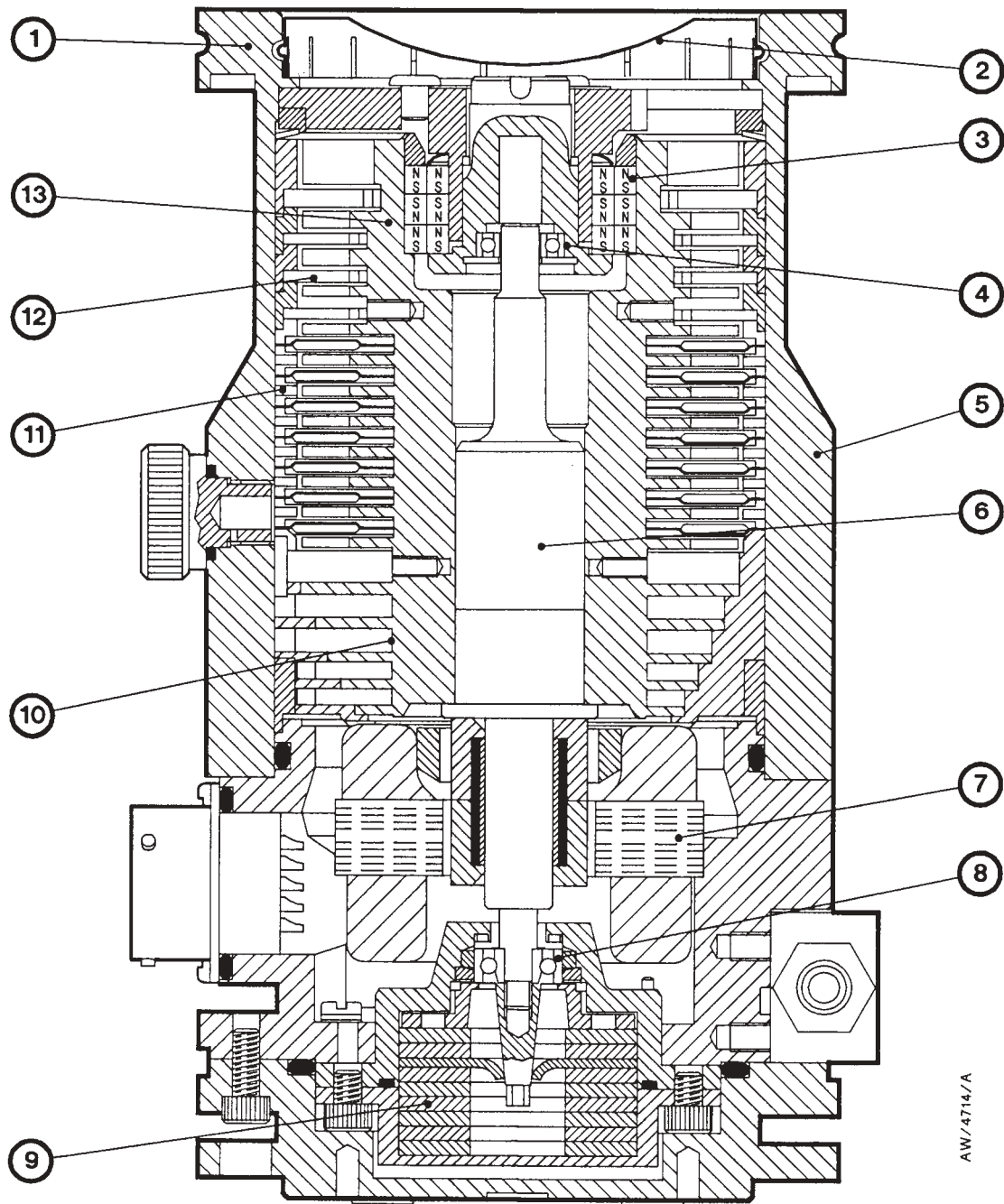
Gas from the inlet is compressed through each of the bladed stages of the turbomolecular pump and transferred to the drag pump. In the drag pump stages, the gas is further compressed as it is pumped around the channels formed by the separation of the disks. The inlet and outlet of each channel is separated by a close-running seal which diverts the gas through a port to the next channel, or to the pump outlet.

The rotating assembly is supported at the inlet end by a frictionless magnetic bearing (3) and by a precision ceramic ball bearing (8) at the outlet end. The ball bearing is lubricated from an oil reservoir and wick mechanism (9).

The EXT pump is supplied with an inlet-screen (2) fitted in the bore of the inlet-flange. The EXT250Hi pump is also supplied with an inlet-strainer which fits in the interstage-port. The inlet-screen and inlet-strainer protect the pump against damage which would be caused by debris which enters the pump. The inlet-screen also protects you from the sharp blades in the pump.

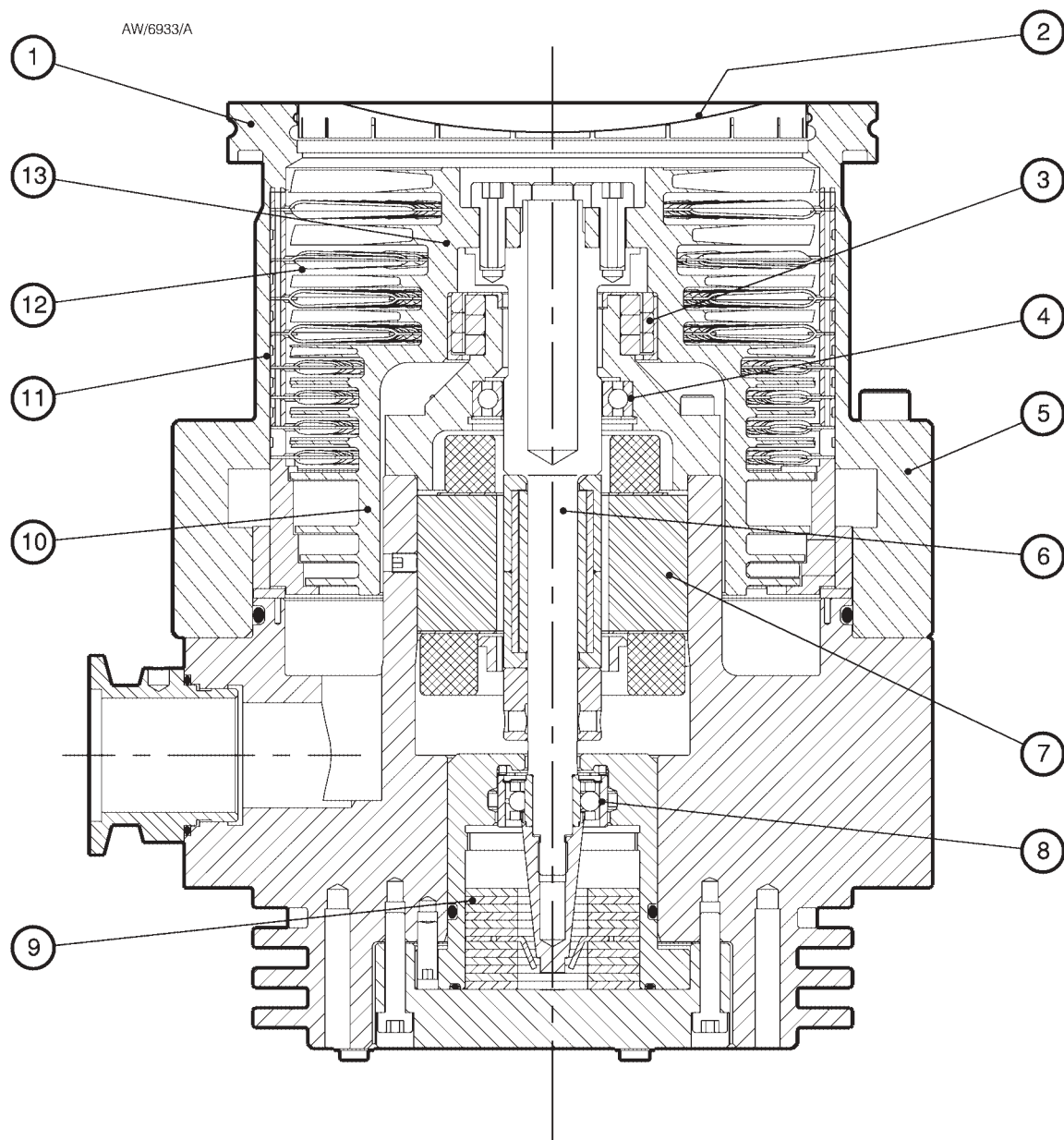
The EXT pump has a vent-port that you can use to vent the pump and your vacuum system to atmospheric pressure. The vent-port introduces vent gas part way up the pump rotor; this ensures maximum cleanliness. The pump is supplied with a manual vent-valve fitted to the vent-port. As described in Section 3.4, you can replace the manual vent-valve with a TAV5 or TAV6 solenoid-operated vent-valve (available as an accessory: see Section 7).

The EXT250H and EXT250Hi pumps have a purge-port (Figure 5, item 4) in the motor and bearing housing chamber. In order to protect the bearing lubricant from the effects of high oxygen concentrations, you can introduce an inert purge gas through the purge-port. You can fit an optional vent-port adaptor and purge restrictor to the purge-port to control the flow rate of the purge gas and to filter the gas supply (see Section 7).



- | | |
|---------------------|------------------|
| 1. Inlet-flange | 7. DC motor |
| 2. Inlet-screen | 8. Ball bearing |
| 3. Magnetic bearing | 9. Oil reservoir |
| 4. Safety bearing | 10. Drag stage |
| 5. Envelope | 11. Spacer ring |
| 6. Shaft | 12. Stator |
| | 13. Rotor |

Figure 1 - Cross-section view of EXT70H pump



- | | |
|---------------------|------------------|
| 1. Inlet-flange | 7. DC motor |
| 2. Inlet-screen | 8. Ball bearing |
| 3. Magnetic bearing | 9. Oil reservoir |
| 4. Safety bearing | 10. Drag stage |
| 5. Envelope | 11. Spacer ring |
| 6. Shaft | 12. Stator |
| | 13. Rotor |

Figure 2 - Cross-section view of EXT250H pump

The EXT250Hi pump has an interstage-port between the turbomolecular and drag stages. If required, you can fit an interstage-port accessory to an EXT70H/ISO63 pump to upgrade it to an EXT70Hi pump (see Section 7). You can use the interstage-port on EXT70Hi and EXT250Hi pumps to pump a separate chamber of your vacuum system or to back another turbomolecular pump:

- If the EXT70Hi pump operates with an outlet pressure of less than 5 mbar (500 Pa) and an interstage inlet flow of less than 100 sccm ($1.69 \text{ mbar l s}^{-1}$, 169 Pa l s^{-1}), or with an outlet pressure of less than 10 mbar (1000 Pa) and an interstage inlet flow of less than 50 sccm ($0.84 \text{ mbar l s}^{-1}$, 84 Pa l s^{-1}), the vacuum performance at the turbomolecular pump-inlet is independent of the interstage operating conditions.
- If the EXT250Hi pump operates with an outlet pressure of less than 5 mbar (500 Pa) and an interstage inlet flow of less than 70 sccm ($1.17 \text{ mbar l s}^{-1}$, 117 Pa l s^{-1}), the vacuum performance at the turbomolecular pump-inlet is independent of the interstage operating conditions.

If you use an EXC Controller to control the EXT pump, the electrical connection between the EXT pump and the EXC Controller is by the 19-way connector on the pump and a pump-to-controller cable. The cable is a separate item and is available in a choice of lengths (see Section 7 for details). If you use an EXDC Drive Module to control the EXT pump, the EXDC Drive Module is fitted directly to the 19-way connector on the pump.

The EXT pump may be air-cooled using an optional air-cooler accessory, or water-cooled by passing water through the water-cooler provided. Two ruffled hose connectors are provided for connection of your cooling-water supply and return pipelines. A thermal sensor monitors the temperature of the motor and the pump-body.

1.3 Vent options and vent control

To maintain the cleanliness of your vacuum system, we recommend that, whenever you switch the pump off, you vent the pump (or vacuum system) when the speed of the EXT pump is between full rotational speed and 50% of full rotational speed. At and above 50% of full rotational speed, the rotor spins fast enough to suppress any backstreaming of hydrocarbon oil from your backing pump.

However, if you vent the pump when it is at full rotational speed and the rate of pressure rise is too high, the pump life may be reduced. We therefore recommend that you either limit the rate of pressure rise (see Figure 3), or only open the vent-valve after the EXT pump speed has fallen to 50% of full rotational speed.

The rate of pressure rise cannot be controlled by the manual vent-valve, so if you use the manual vent-valve, you must only open the vent-valve after the EXT pump speed has fallen to 50% of full rotational speed.

If you use a TAV5 vent-valve, but you cannot limit the rate of pressure rise, you must only open the vent-valve after the speed of the EXT pump has fallen to 50% of full rotational speed. If you use the EXC Controller to control your TAV5 vent-valve, configure the EXC Controller to select this option: refer to Section 3.4 for more information. The EXC Controller is factory set to vent when the EXT pump is at 50% of full rotational speed after you select Stop.

2 TECHNICAL DATA

2.1 General

Performance	See Tables 1 and 2
Cooling, noise and electrical data	See Table 3
Dimensions	See Figures 4 and 5
Maximum inlet-flange temperature	100 °C
Maximum magnetic field	5 mT
Installation category	EN61010 part 1, Category 1
Pollution degree	EN61010 part 1, Category 2
Equipment type	Fixed equipment, for indoor use only

2.2 Pumping media

WARNING

Vent dangerous gases and gas mixtures safely. Do not expose people to these gases.

WARNING

Do not use EXT pumps to pump explosive gas mixtures as the pumps are not suitable for this purpose.

WARNING

On EXT70Hi and EXT250Hi pumps, gas pumped through the interstage-port will mix with gas pumped through the pump-inlet. Ensure that the gases will not react or combine to form dangerous gases and substances.

CAUTION

Do not use an EXT to pump gases containing more than 20% oxygen unless the pump is gas purged. If you do, the lubricant will polymerise and the pump will fail prematurely.

CAUTION

Do not use an EXT to pump mercury vapour and do not allow mercury (for example, from a McLeod gauge) to come into contact with the pump. If you do, the pump rotor may corrode and fail.

Note that concentrations of gases may be modified by the compression of the pump.

2.2.1 Pumps without gas purge

The pumps are designed to pump the following residual gases normally used in high-vacuum systems :

- Air
- Carbon dioxide
- Carbon monoxide
- Helium
- Krypton
- Neon
- Argon
- Hydrogen
- Ethane
- Propane
- Butane
- Methane

You can use the pumps to pump oxygen and water vapour, subject to the following conditions :

- Oxygen The oxygen concentration must be less than 20% by volume.
- Water vapour You must ensure that vapour does not condense inside the pump; refer to Section 3.7.3.

If you wish to pump a gas not in the list above, contact your supplier for advice. If you do not contact your supplier, you may invalidate the warranty on the pump. The pumps are not suitable for pumping aggressive or corrosive gases.

2.2.2 Pumps with gas purge (EXT250H and EXT250Hi only)

When purged with an inert gas, the pumps can be used to pump oxygen in concentrations above 20% by volume.

2.3 Vent gas specification and vent control data

Although the pump may be vented to atmospheric air, high relative humidity of the air may greatly increase the subsequent pumping time. To reduce pump-down times you should vent the pump with dry, clean gases.

Vent gas	Dry air, nitrogen, argon or other inert gases
Maximum dew point at atmospheric pressure	-22 °C
Maximum size of particulates	1 µm
Maximum concentration of oil	0.1 parts per million
Maximum allowed rate of pressure rise	See Figure 3

2.4 Purge gas specification (EXT250H and EXT250Hi only)

Purge gas	Dry nitrogen, argon or other inert gases
Maximum dew point at atmospheric pressure	-22 °C
Maximum size of particulates	1 µm
Maximum concentration of oil	0.1 parts per million
Allowable purge gas flow (when required)	20 to 100 sccm (0.33 to 1.67 mbar l s ⁻¹ , 33 to 167 Pa l s ⁻¹)
Recommended purge gas flow	25 sccm (0.42 mbar l s ⁻¹ , 42 Pa l s ⁻¹)
Maximum allowable purge gas supply pressure	2 bar (gauge) ; 29 psig, 3 x 10 ⁵ Pa

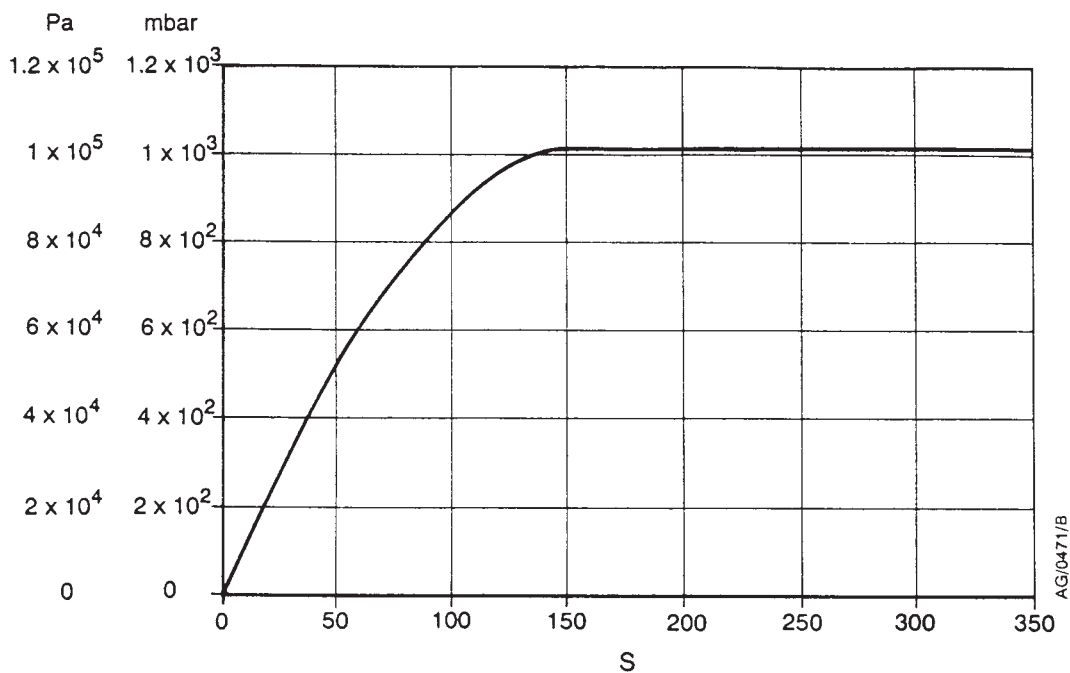


Figure 3 - Maximum allowed rate of pressure rise during venting: system pressure (Pa/mbar, with the backing pump isolated) against time (s), with the pump initially at full rotational speed

2.5 Cooling-water

The following cooling-water specification corresponds to a typical high-quality drinking water specification. Check with your water supply authority if you are in doubt about the quality of your supply.

Quality	Mechanically clean and optically clear with no deposits or turbidity.
pH value	6.0 to 8.0
Maximum calcium carbonate concentration	75 parts per million
Maximum chloride concentration	100 parts per million
Minimum oxygen concentration	4 parts per million
Minimum water-cooling flow rate (at 15 °C)	15 l h ⁻¹
Water temperature	See Table 3
Maximum water pressure	5 bar (gauge), 73.5 psig, 6 x 10 ⁵ Pa

Parameter	EXT70H/ISO63	EXT70H/63CF	EXT70H/NW40	Notes
Mass	2.8 kg	4.7 kg	2.8 kg	
Inlet-flange	DN63ISO-K	DN63CF	DN40NW	
Outlet-flange	DN16NW	DN16NW	DN16NW	
Vent-port	$\frac{1}{8}$ inch BSP	$\frac{1}{8}$ inch BSP	$\frac{1}{8}$ inch BSP	
Interstage-port	DN25NW [▲]	-	-	
Purge-port	-	-	-	
Inlet pumping speed				
N ₂ ^{#†}	65 l s ⁻¹	65 l s ⁻¹	52 l s ⁻¹	Pb < 10 mbar (1000 Pa) Qi < 50 sccm (0.84 mbar l s ⁻¹ , 84 Pa l s ⁻¹)
He ^{# †}	60 l s ⁻¹	60 l s ⁻¹	53 l s ⁻¹	Pb < 5 mbar (500 Pa) Qi = 0
H ₂ ^{# †}	50 l s ⁻¹	50 l s ⁻¹	46 l s ⁻¹	Pb < 2 mbar (200 Pa) Qi = 0
Inlet compression ratio				
N ₂ [#]	> 1 x 10 ⁸	> 1 x 10 ⁸	> 1 x 10 ⁸	Pb < 10 mbar (1000 Pa)
He [#]	4 x 10 ⁵	4 x 10 ⁵	4 x 10 ⁵	Pb < 3 mbar (300 Pa)
H ₂ [#]	3 x 10 ⁴	3 x 10 ⁴	3 x 10 ⁴	Pb < 1 mbar (100 Pa)
Interstage pumping speed [‡]				
N ₂ [#]	6 l s ⁻¹	-	-	Pb = 5 mbar (500 Pa) Qi = 100 sccm (1.69 mbar l s ⁻¹ , 169 Pa l s ⁻¹) Qp = 0 sccm
Ultimate pressure [*]	< 5 x 10 ⁻⁹ mbar < 5 x 10 ⁻⁷ Pa	< 5 x 10 ⁻¹⁰ mbar < 5 x 10 ⁻⁸ Pa	< 5 x 10 ⁻⁹ mbar < 5 x 10 ⁻⁷ Pa	
Minimum backing pump displacement	0.6 m ³ h ⁻¹	0.6 m ³ h ⁻¹	0.6 m ³ h ⁻¹	
Maximum continuous inlet pressure [§]				
water-cooling at 15 °C [§]	9 x 10 ⁻¹ mbar, 90 Pa	9 x 10 ⁻¹ mbar, 90 Pa	9 x 10 ⁻¹ mbar, 90 Pa	
air-cooling at 35 °C [§]	9 x 10 ⁻² mbar, 9 Pa	9 x 10 ⁻² mbar, 9 Pa	9 x 10 ⁻² mbar, 9 Pa	
Recommended backing pump [†]	E2M0.7	E2M0.7	E2M0.7	
Operating attitude	Vertical and upright through to horizontal ± 2°			
Nominal rotational speed	90000 r min ⁻¹	90000 r min ⁻¹	90000 r min ⁻¹	
Standby rotational speed	63000 r min ⁻¹	63000 r min ⁻¹	63000 r min ⁻¹	
Starting time to 90% speed	≤ 90 sec	≤ 90 sec	≤ 90 sec	

▲ Optional accessory

‡ Pumping speeds are without inlet-screen or inlet-strainer. Inlet-screens and inlet-strainers reduce speed by approximately 10%.

Pb = backing pressure, Qi = flow through the interstage-port (EXT70Hi only), Qp = flow through pump-inlet

* Ultimate pressure 48 hours after bakeout with 2-stage rotary vane backing-pump.

§ Above this pressure, rotational speed drops below nominal.

† A larger backing-pump may be required for maximum throughput.

Table 1 - EXT70H/EXT70Hi technical data

Parameter	EXT250H	EXT250Hi	Notes
Mass	8.0 kg	8.0 kg	
Inlet-flange	DN100ISO-K/ DN100CF	DN100ISO-K	
Outlet-flange	DN25NW	DN25NW	
Vent-port	1/8 inch BSP	1/8 inch BSP	
Interstage-port	-	DN25NW	
Purge-port	1/8 inch BSP	1/8 inch BSP	
Inlet pumping speed			
N ₂ #†	220 l s ⁻¹	220 l s ⁻¹	Pb < 5 mbar (500 Pa) Qi < 70 sccm (1.18 mbar l s ⁻¹ , 118 Pa l s ⁻¹)
He # ‡	230 l s ⁻¹	230 l s ⁻¹	Pb < 1 mbar (100 Pa) Qi = 0 sccm
H ₂ # ‡	180 l s ⁻¹	180 l s ⁻¹	Pb < 0.5 mbar (50 Pa) Qi = 0 sccm
Inlet compression ratio			
N ₂ #	> 2 x 10 ⁷	> 2 x 10 ⁷	Pb = 5 mbar (500 Pa)
He #	> 1.6 x 10 ⁴	> 1.6 x 10 ⁴	Pb = 2 mbar (200 Pa)
H ₂ #	1500	1500	Pb = 1 x 10 ⁻² mbar (1 Pa)
Interstage pumping speed ‡			
N ₂ #	-	8 l s ⁻¹	Pb = 5 mbar (500 Pa) Qi = 100 sccm (1.69 mbar l s ⁻¹ , 169 Pa l s ⁻¹) Qp < 20 sccm (0.33 mbar l s ⁻¹ , 33 Pa l s ⁻¹)
N ₂ #	-	11 l s ⁻¹	Pb = 5 mbar (500 Pa) Qi = 240 sccm (4.5 mbar l s ⁻¹ , 405 Pa l s ⁻¹) Qp = 0 sccm
Ultimate pressure *	< 5 x 10 ⁻⁹ mbar < 5 x 10 ⁻⁷ Pa	< 5 x 10 ⁻⁹ mbar < 5 x 10 ⁻⁷ Pa	
Minimum backing pump displacement	0.6 m ³ h ⁻¹	0.6 m ³ h ⁻¹	
Maximum continuous inlet pressure §			
water-cooling at 15 °C §	3 x 10 ⁻¹ mbar, 30 Pa	3 x 10 ⁻¹ mbar, 30 Pa	
air-cooling at 35 °C §	3 x 10 ⁻² mbar, 3 Pa	3 x 10 ⁻² mbar, 3 Pa	
Recommended backing pump †	RV3	RV3	
Operating attitude	Vertical and upright through to horizontal ± 2°		
Nominal rotational speed	60000 r min ⁻¹	60000 r min ⁻¹	
Standby rotational speed	42000 r min ⁻¹	42000 r min ⁻¹	
Starting time to 90% speed			
EXC100E/L, EXDC80	190 sec	190 sec	
EXC120	130 sec	130 sec	
EXC300, EXDC160	100 sec	100 sec	

† Pumping speeds are without inlet-screen or inlet-strainer (EXT250Hi only). Inlet-screens and inlet-strainers reduce speed by approximately 10%.

Pb = backing pressure, Qi = flow through the interstage-port (EXT250Hi only), Qp = flow through pump-inlet

* Ultimate pressure 48 hours after bakeout with 2-stage rotary vane backing-pump.

§ Above this pressure, rotational speed drops below nominal.

† A larger backing-pump may be required for maximum throughput.

Table 2 - EXT250H/EXT250Hi technical data

Cooling method	Forced-air/water	
Ambient air temperature (forced-air cooling)	0 - 35 °C	
Water temperature (water-cooling)	10 - 20 °C	
Noise level (at 1 metre)	< 50 dB(A)	
Recommended controller	EXC120/EXC100E/ EXC100L	
EXC120/100E/100L maximum VA input	250 VA	with bakeout band
EXC120/100E/100L apparent power	60 VA	typical operating conditions
Other compatible controller	EXC300	
EXC300 maximum VA input	480 VA	with bakeout band
EXC300 apparent power	60 VA	typical operating conditions
Compatible drive modules	EXDC80, EXDC160	
EXDC80 maximum power input	93 W	
EXDC160 maximum power input	187 W	
Quiescent apparent power	10 VA	

Table 3 - Cooling, noise and electrical data (all pumps)

2.6 Materials exposed to gases pumped

The following materials and component types are exposed to the gases pumped: aluminium alloys, stainless steels, glass filled PTFE (polytetrafluoroethylene)*, PEEK (polyether-etherketone) 450G[†], fluoroelastomer and nitrile 'O' rings, hydrocarbon lubricant, felt, rare earth magnets, silicon nitride and phenolic resin.

* EXT250H/Hi pumps only.

† EXT70H/Hi pumps only.

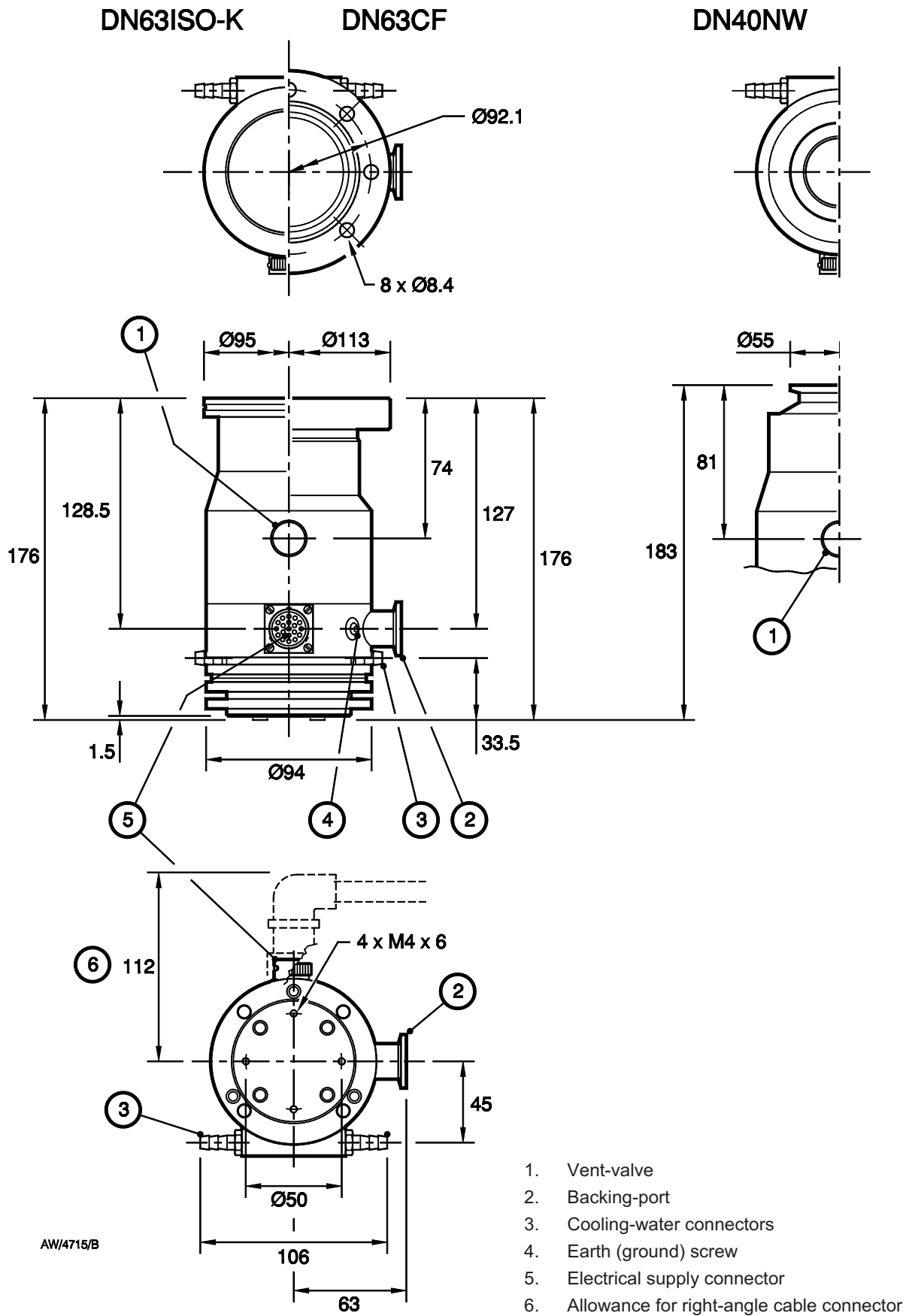
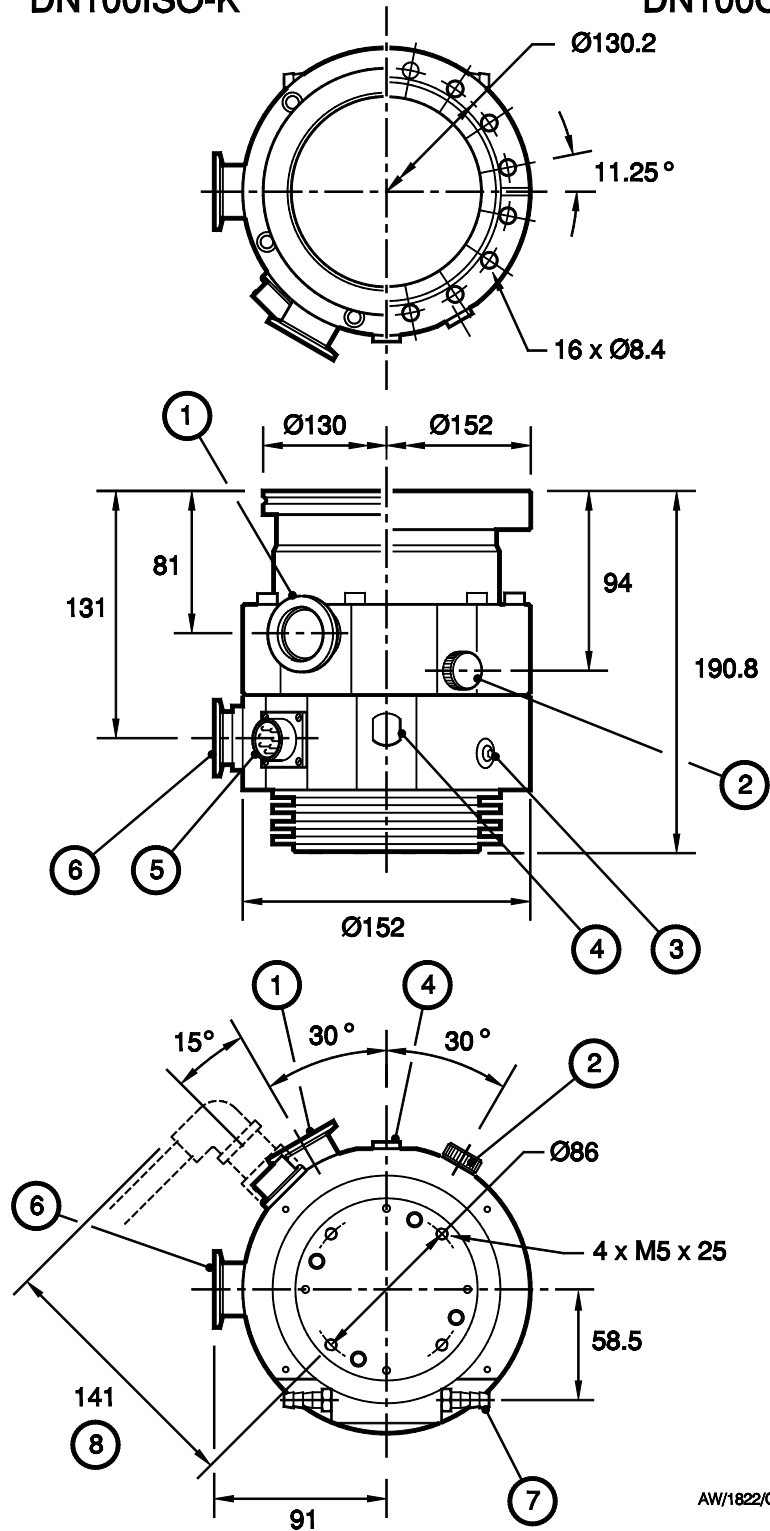


Figure 4 - EXT70H dimensions (mm)

DN100ISO-K

DN100CF



AW/1822/C

- | | |
|------------------------------------|--|
| 1. Interstage-port (EXT250Hi only) | 5. Electrical supply connector |
| 2. Vent-valve | 6. Backing-port |
| 3. Earth (ground) screw | 7. Cooling-water connectors |
| 4. Purge-plug in purge-port | 8. Allowance for right-angle cable connector |

Figure 5 - EXT250H dimensions (mm)

3 INSTALLATION

WARNING

Safely route all vacuum, vent/purge gas and cooling-water pipelines, and all electrical cables and wires, so that people cannot trip over them.

3.1 Unpack and inspect

The pump is packed to prevent damage in transit. Take care when you unpack the pump to avoid excessive shocks which could damage the bearings and reduce the life of the pump. The pump is supplied with the inlet and outlet sealed to prevent entry of dust and vapour. Do not remove these seals until you are ready to install the pump on your vacuum system.

Remove all packing materials and check the pump. If the pump is damaged, notify your supplier and the carrier in writing within three days; state the Item Number of the pump together with your order number and your supplier's invoice number. Retain all packing materials for inspection. Do not use the pump if it is damaged.

Check that your package contains the items listed in Table 4. If any of these items is missing, notify your supplier in writing within three days.

Qty	Description	Check (✓)
1	EXT turbomolecular pump	<input type="checkbox"/>
1	Inlet seal (trapped 'O' ring, Co-Seal or copper compression gasket)	<input type="checkbox"/>
1	Inlet-strainer (EXT250Hi only, fitted in the interstage-port)	<input type="checkbox"/>

Table 4 - Checklist of items

If the pump is not to be used immediately, store the pump in suitable conditions as described in Section 6.1.

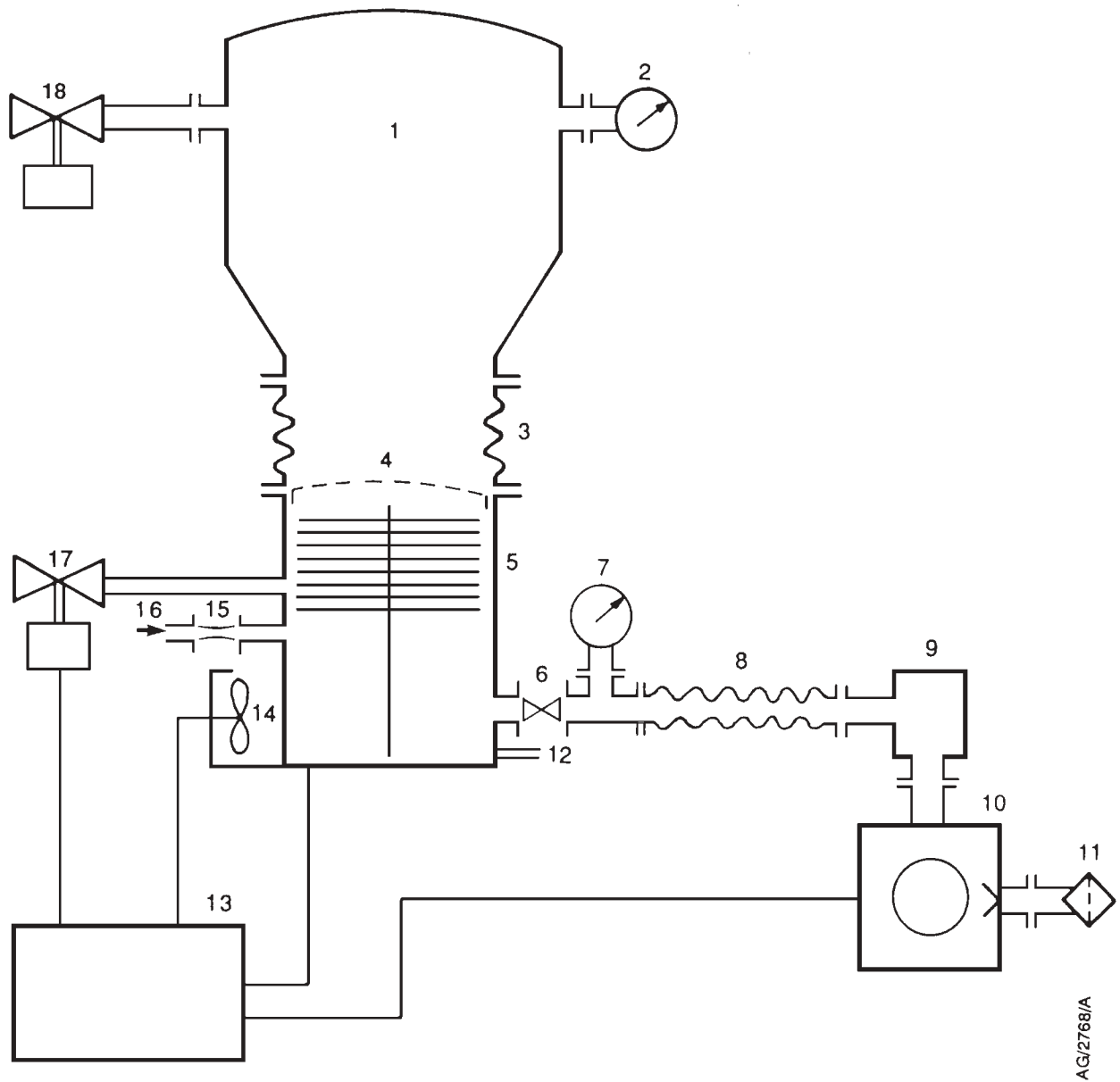
Do not discard the packing materials; retain them to repack the pump when you return it for service.

3.2 Typical installation

A typical pumping system with an EXT250H pump is shown in Figure 6. A typical pumping system with an EXT250Hi pump is shown in Figure 7. When necessary, purge the EXT250H/Hi pump with inert gas as described in Section 3.5.

Typical pumping systems with an EXT70H and EXT70Hi pumps will be as shown in Figures 6 and 7, but without the gas purge components (15, 16).

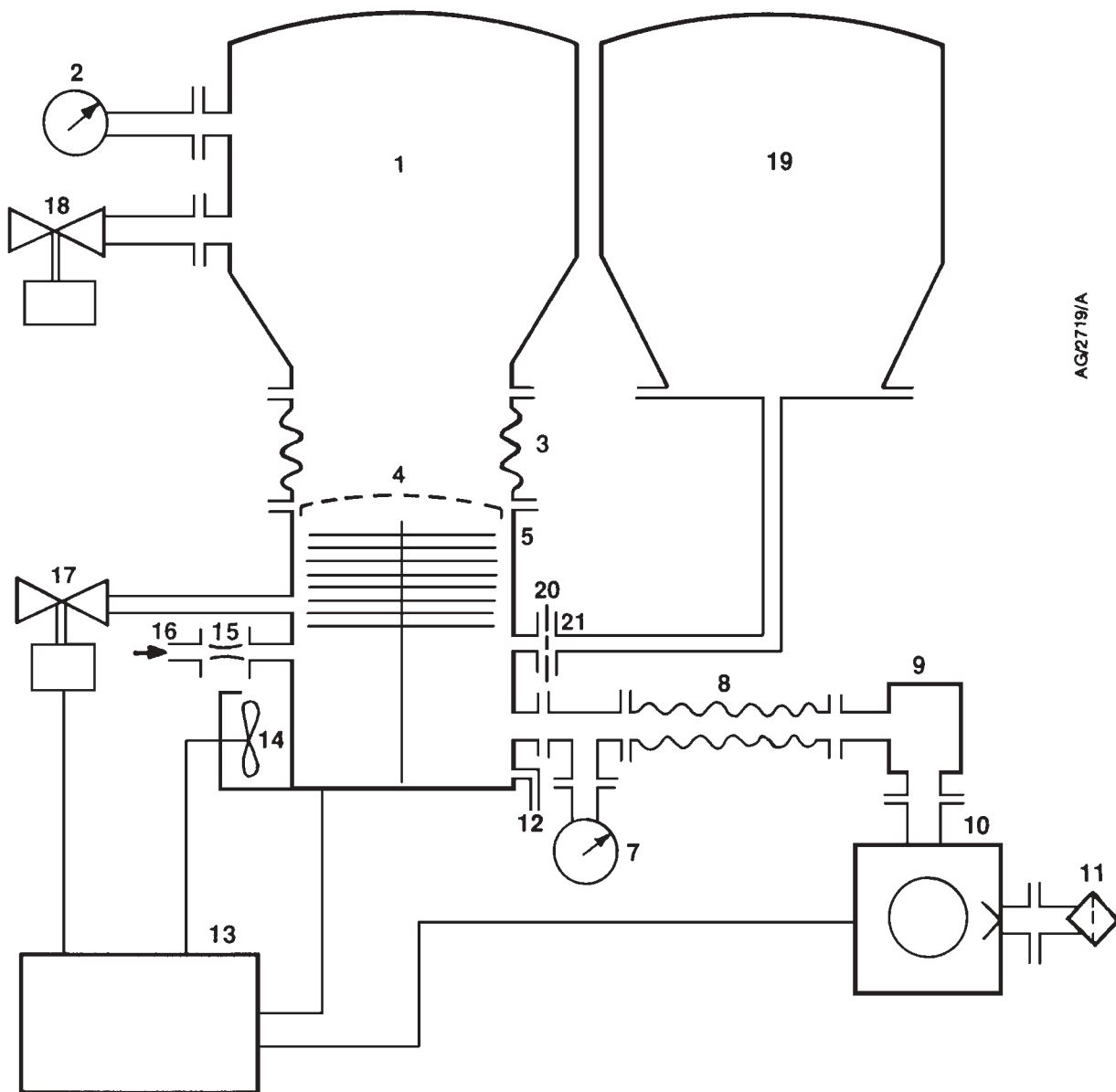
The accessories available for these EXT pumps are detailed in Section 7; the accessories are shown in Figure 9.



- | | | |
|-----------------------|------------------------------|---|
| 1. Vacuum system | 7. Vacuum gauge | 13. EXC Controller |
| 2. High-vacuum gauge | 8. Flexible bellows | 14. Air-cooler |
| 3. Vibration isolator | 9. Foreline trap | 15. PRX10 purge restrictor * |
| 4. Inlet-screen | 10. Rotary backing-pump | 16. Regulated purge gas supply * |
| 5. EXT pump | 11. Mist filter | 17. Vent-valve |
| 6. Backing valve | 12. Cooling-water connectors | 18. Alternative position for vent-valve |

* EXT250H only

Figure 6 - Typical pumping system with an EXT70H or EXT250H pump



AG2719/A

- | | | |
|-----------------------|------------------------------|---|
| 1. Vacuum chamber 1 | 8. Flexible bellows | 15. PRX10 purge restrictor * |
| 2. High-vacuum gauge | 9. Foreline trap | 16. Regulated purge gas supply * |
| 3. Vibration isolator | 10. Rotary backing-pump | 17. Vent-valve |
| 4. Inlet-screen | 11. Mist filter | 18. Alternative position for vent-valve |
| 5. EXT pump | 12. Cooling-water connectors | 19. Vacuum chamber 2 |
| 6. Not used | 13. EXC Controller | 20. Inlet-strainer |
| 7. Vacuum gauge | 14. Air-cooler | 21. Interstage-port |

* EXT250Hi only

Figure 7 - Typical pumping system with an EXT70Hi or EXT250Hi pump

3.3 Connect to the vacuum system

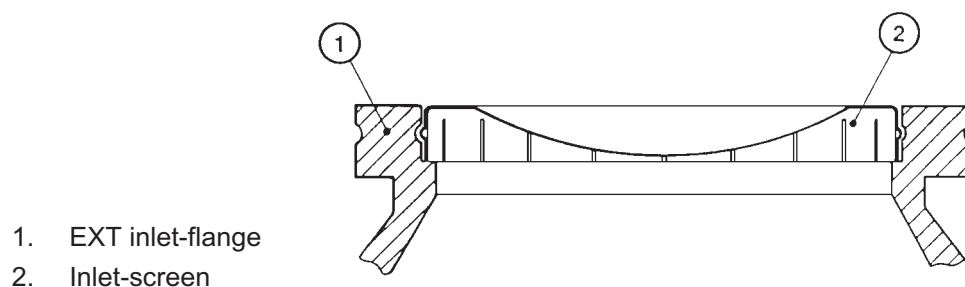
WARNING

Install the pump in the vacuum system before you connect the EXC Controller or EXDC Drive Module. This will ensure that the pump cannot operate and injure people during installation.

3.3.1 Inlet-screen

Do not remove the inlet-screen unless you can be sure that there is no danger that debris can fall into the pump. In order to avoid the danger of injury from the rotor blades, do not remove the inlet-screen until you are ready to mount the pump onto your system. If the screen is removed, the pumping speed will increase by approximately 10%. It is not possible to remove the inlet-screen from a pump with an NW inlet-flange.

To remove the inlet-screen from a pump with an ISO or CF inlet-flange, carefully extract it from the inlet-flange using a bent wire hook. To replace a screen which has been removed, install it as shown in Figure 8, with the BOC Edwards logo uppermost. Ensure that the dimples on the rim of the screen engage in the groove in the pump flange. If necessary, gently bend the tags of the screen outwards to ensure a tight fit.



AGG0059/A

Figure 8 - Correct installation of the inlet-screen

3.3.2 Mechanical fixing

WARNING

Do not operate the EXT pump until it is securely fixed. If the pump seizes, the stored energy of the rotor can cause rapid movement of the pump, which may cause damage and injury to people.

There are two ways in which the EXT pump can be securely fixed. Ideally, the EXT pump should be securely fixed by its inlet-flange to a rigid, firmly fixed vacuum system: see Section 3.3.4. If this is not possible because of the nature of the vacuum system, the base of the EXT pump must be securely fixed to a firm support: see Section 3.3.3.

3.3.3 Base mounting

Ensure that the base of the pump is securely fixed to a firm support (refer to Figures 4 and 5 for the fixing hole details). If the pump supports the weight of the vacuum system, the mass of the vacuum system must be no more than 10 kg for an EXT70H/Hi pump, or no more than 20 kg for an EXT250H/Hi pump.

You must also ensure that your mounting method meets the following requirements, so that the EXT pump will remain secure in the event of a pump seizure:

- The support mounting must be able to withstand a destructive torque of 333 Nm for an EXT70H/Hi pump or 620 Nm for an EXT250H/Hi pump.
- Fit cap-head fixing screws through the tapped fixing-holes in the base of the pump (see Figures 4 and 5): use M4 screws for an EXT70H/Hi pump, and use M5 screws for an EXT250H/Hi pump.
- The fixing screws must comply with ISO 898-1, with a strength class of 12.9 (nominal tensile strength 1200 MPa).
- The fixing screw engagement length must be 6 mm or more.
- Tighten the fixing screws to a torque of 6 Nm (0.61 kgf m) on EXT70H/Hi pumps, and to a torque of 12 Nm (1.22 kgf m) on EXT250H/Hi pumps.

3.3.4 Inlet connection and orientation

The EXT pump can be fixed to the vacuum system by the inlet-flange. The pump can be mounted in any attitude from vertical and upright through to horizontal ($\pm 2^\circ$). If the pump is mounted horizontally and you use a rotary vane pump to back the EXT pump, the backing port must point vertically downwards ($\pm 20^\circ$) to reduce the risk of contamination from the backing pump oil.

Make sure that the pump-inlet and all components fitted to the pump-inlet are clean and dust-free. If the pump-inlet is not kept clean, the pump-down time may be increased.

The inlet-connection of the EXT pump is a CF flange, an ISO flange or an NW flange:

- If the pump has a CF flange, use the copper compression gasket supplied with the pump and use a full complement of bolts to connect the inlet-flange of the pump to the vacuum system.
- If the pump has an ISO flange, use the BOC Edwards trapped 'O' ring supplied with the pump and use a minimum of four claw clamps to connect the inlet-flange of the pump to the vacuum system. Ensure that each claw clamp is tightened to a torque of 10 Nm or more.

Alternatively, use a rotatable collar and the trapped 'O' ring supplied with the pump to connect the inlet-flange of the pump to the vacuum system; use a full complement of bolts with the rotatable collar.

- If the pump has an NW flange, use the Co-Seal supplied with the pump and a suitable NW clamp to connect the inlet-flange of the pump to the vacuum system.

Ensure that no torque or other forces are transmitted to the pump from the vacuum system or the associated pipelines.

If necessary, fit an inlet vibration isolator between the pump-inlet and the vacuum system: refer to Section 7.4.9 for the Item Numbers, and refer to the instruction manual supplied with the vibration isolator for installation details. If you fit a vibration isolator, you must securely fix the base of the EXT pump as described in Section 3.3.3.

Note: The first time you pump down the system to vacuum, you must re-tighten the bolts which secure the inlet-flange.

3.3.5 Backing connection

Use suitable vacuum tubing and connectors to connect the NW flange of the backing-port to your backing-pump. If necessary, use flexible pipe or bellows to reduce the transmission of vibration from the backing-pump to the EXT pump.

We recommend that you use a BOC Edwards EM or RV backing-pump. The minimum size of the backing-pump required is given in Tables 1 and 2. You may have to use a larger backing-pump if you run the pump at a high inlet pressure or high throughput, or if you purge an EXT250H/Hi pump with more than 25 sccm ($0.42 \text{ mbar l s}^{-1}$, 42 Pa l s^{-1}) of purge gas.

Do not use the EXT pump with a backing pressure below $1 \times 10^{-4} \text{ mbar}$ ($1 \times 10^{-2} \text{ Pa}$). Lower backing pressures will increase the evaporation rate of the lubricating oil and so will reduce the life of the bearings.

3.3.6 Interstage connection (EXT70Hi and EXT250Hi only)

Use suitable vacuum tube and connectors to connect the interstage-port to your vacuum system or to the outlet flange of another turbomolecular pump (if you use the EXT70Hi or EXT250Hi pump to back another turbomolecular pump). Leave the inlet-strainer in the interstage-port of the EXT250Hi pump, unless you are sure that debris cannot be drawn into the interstage-port.

3.4 Vent-valve connection and control

When you design your system and when you install a vent-valve, take note of the information in Sections 1.3 and 2.3. You can vent the EXT pump and your vacuum system by any of the following methods:

- Use the manual vent-valve supplied.
- Use a TAV5 or TAV6 solenoid vent-valve accessory (see Section 7) in place of the manual vent-valve.
- Use a TAV5 or TAV6 solenoid vent-valve connected to a convenient flange on your vacuum system.
- Use an alternative valve connected to your vacuum system.

If you use the manual vent-valve, you must open the vent-valve only after the EXT pump speed has fallen to 50% of full rotational speed.

If you use the TAV5 vent-valve, you can only vent the pump when it is at full speed if the vacuum system has a volume of 5 litres or more. If you use the TAV6 vent-valve, you can only vent the pump when it is at full speed if the vacuum system has a volume of 10 litres or more.

If the volume of your vacuum system is less than 5 litres when you use a TAV5 vent-valve, or if the volume of your vacuum system is less than 10 litres when you use a TAV6 vent-valve, you can incorporate a suitable vent-restrictor (see Table 5) and vent the pump when it is at full speed. If you do not incorporate a vent-restrictor, you can use the EXC Controller to open the vent-valve after the EXT pump speed has fallen to 50% of full rotational speed: do not select the EXC Controller 'Vent On Stop' option. Refer to the EXC Controller instruction manual for more information.

If you use another vent-valve, you must ensure that you have a suitable vent-restrictor fitted to suit your vacuum system to limit the rate of pressure rise: refer to Table 5. If you do not fit a suitable vent-restrictor, you must open the vent-valve only after the speed of the EXT pump has fallen to 50% of full rotational speed.

If you connect the vent-valve to your vacuum system, select a point upstream of the EXT pump to prevent backstreaming of oil from the backing pump. Do not connect the vent-valve to the backing pipeline. Connect the inlet of the vent-valve to the vent gas supply (refer to Section 2.3 for the vent gas specification).

Note: If you use a vent-restrictor, you may find that the time required to vent your vacuum system is unacceptably long. You may be able to reduce the vent time if you use a vent-valve without a vent-restrictor and wait until the pump speed has fallen to 50% of full rotational speed before you open the vent-valve.

Vacuum system volume (l)	Orifice diameter (mm)
< 20	≤ 1.0
< 10	≤ 0.7
< 5	≤ 0.5
< 2	≤ 0.35

Table 5 - Vent-restrictor orifice diameter (with atmospheric pressure at the inlet of the vent-valve)

3.5 Purge gas connection (EXT250H and EXT250Hi only)

3.5.1 Connect the purge gas

If you want to supply a purge gas to the pump, remove the manual purge-valve/plug fitted in the purge-port, fit a vent-port adaptor (see Section 7.4) to the purge-port and connect your purge gas supply to the vent-port adaptor. Your purge gas must comply with the specification given in Section 2.4.

You must limit the flow rate of the purge gas to the allowed range, also specified in Section 2.4. To limit the flow rate, use a flow controller or a pressure regulator and calibrated flow restrictor. The PRX10 purge restrictor accessory (see Section 7.4) is suitable for this purpose. Adjust the PRX10 as described in the instruction manual supplied with the accessory.

3.5.2 Recommended purge gas flow

The recommended purge gas flow for typical applications is 25 sccm ($0.42 \text{ mbar l s}^{-1}$, 42 Pa l s^{-1}). This flow will protect the pump when you pump oxygen in concentrations above 20% by volume.

3.6 Electrical installation

WARNING

You must electrically bond the EXT pump to earth (ground): use the earth (ground) screw provided on the pump (Figure 4, item 3 and Figure 5, item 4).

Always make the electrical connections to the EXT pump after the pump has been installed on your vacuum system.

3.6.1 EXC Controller

The EXC Controller provides the electrical supply to the EXT pump through the multiway pump-to-controller cable. Connect and lock the bayonet-connectors at the ends of the cable to the mating connectors on the pump and the EXC Controller.

The EXC Controller is designed to allow a pumping system to be configured in a variety of ways, from a basic manually-operated system to a fully automatic system with remote control. Refer to the EXC Controller instruction manual to complete the electrical installation.

3.6.2 EXDC Drive Module

Fit the connector on the EXDC Drive Module directly to the 19-way connector on the EXT pump.

The EXDC Drive Module is designed to allow a pumping system to be configured in a variety of ways. Refer to the EXDC Drive Module instruction manual to complete the electrical installation.

3.7 Cooling

3.7.1 Introduction

CAUTION

You must ensure that the pump is adequately cooled to prevent damage to the bearing lubricant.

We recommend that wherever possible, you cool the pump by forced-air or water-cooling. You **must** use water-cooling in any of the following operating conditions:

- Backing pressure > 10 mbar (1000 Pa) and interstage flow > 20 sccm (0.3 mbar l s⁻¹, 30 Pa l s⁻¹).
- Backing pressure > 8 mbar (800 Pa) and interstage flow > 30 sccm (0.5 mbar l s⁻¹, 50 Pa l s⁻¹).
- Backing pressure > 5 mbar (500 Pa) and interstage flow > 80 sccm (1.3 mbar l s⁻¹, 130 Pa l s⁻¹).
- Ambient temperature > 35 °C.
- When you use a bakeout band.

In all other operating conditions, you can use forced-air cooling. If you use forced-air to cool the pump, you must ensure that there is an adequate supply of cooling-air to the pump.

However, for light pumping duties, with ambient temperature < 30 °C and inlet-flange temperature < 70 °C, you can use free convection to cool the EXT70H pump.

During operation, if the temperature of any surface of the pump is higher than 45 °C, the pump is too hot and you must increase the cooling.

3.7.2 Forced-air cooling

An air-cooler accessory is available for the EXT pumps (refer to Section 7). Fit the air-cooler as described in the instruction manual supplied with it. If you wish to use an alternative fan for air-cooling, ensure that the flow rate is above 40 m³ h⁻¹ (25 cfm) for the EXT70H/Hi, and above 70 m³ h⁻¹ (40 cfm) for the EXT250H/Hi.

3.7.3 Water-cooling

The cooling-water supply must comply with the specification given in Section 2.5. Pipes in the water-cooling circuit may become blocked if the cooling-water contains too much calcium carbonate or if it contains particulates which are too large. Corrosion of the water-cooling circuit may occur if there is too little calcium carbonate and oxygen in the water. Good quality drinking water is usually suitable for water-cooling. If in doubt, you must check the quality of your cooling-water supply and, if necessary, provide treatment and filtration.

Connect the cooling-water supply to the water-cooler on the pump as described below. Either of the two ruffled connectors on the water-cooler can be used for the water supply or return connections.

1. Push reinforced hose (approximately 6 mm internal diameter) over the ends of the ruffled hose connectors on the water-cooler on the pump.
2. Attach the hose with strong hose clips and make sure that they are tightened securely.

Alternatively, unscrew the ruffled hose connectors and remove them from the water-cooler and make direct connections to the $1/8$ BSP female threaded fittings on the water-cooler.

You must turn off the cooling-water supply when you switch off the pump to prevent condensation of vapours inside the pump. You can configure the EXC Controller to operate a solenoid-valve for this purpose.

If you want to remove the pump for maintenance, and you do not want to break the cooling-water circuit, unscrew the two M4 cap-head fixing-screws and remove the water-cooler from the pump. Make sure that there is a layer of thermal contact grease on the water-cooler before you refit it to the pump.

4 OPERATION

WARNING

Do not disconnect the pump-to-controller cable when the EXT pump is operating. If you do, there may be a risk of injury or death by electric shock.

WARNING

Do not operate the pump unless it is connected to your vacuum system. If you do, the pump rotor can cause injury. The pump rotor rotates at very high speeds and you may not be able to see that the pump is rotating.

WARNING

Do not expose any part of your body to vacuum. If you do, you may be injured.

Note: The following sections describe the use of the EXT pump in a basic, manually-controlled pumping system with a manual vent-valve, and with an EXC Controller configured for local (manual) operation. Note that some of the facilities described in these sections are not available with all models of EXC Controller: refer to the EXC Controller instruction manual for full details.

If you use an EXC Controller configured for remote operation, or if you use an EXDC Drive Module to control the EXT pump, refer to the instruction manual supplied with the EXC Controller or EXDC Drive Module.

4.1 Start-up

1. Turn the manual vent-valve clockwise to close it.
2. Turn on the cooling-water supply (if water-cooling is used).
3. Start the backing-pump.
4. When the vacuum system pressure is approximately 1 mbar (100 Pa) or less, press the Start/Stop button on the EXC Controller to start the EXT pump.
5. The pump will then accelerate to full operating speed. When this has been reached, the upper LED of the speed indicator on the front panel of the EXC Controller will light.

Note: The first time you pump down the system to vacuum, you must re-tighten the bolts which secure the inlet-flange: refer to Section 3.3.4.

4.2 Stand-by

You can press the Standby button on the EXC Controller to operate the EXT pump at reduced rotational speed. Select Standby before or after Start-up, for any of the following reasons:

- To extend pump-bearing life and still maintain adequate vacuum pumping performance (for example, when you leave a system under vacuum over holiday periods)
- To increase system pressure or to extend the maximum inlet pressure range of the pump where this suits a particular process
- To avoid pump excitation of any resonances which may exist on sensitive instrumentation.

4.3 Shut-down

Note: In an emergency only, open the vent-valve quickly to decelerate the pump rotor in the shortest possible time.

1. Switch off the backing-pump and press the Start/Stop button on the EXC Controller to switch off the EXT pump.
2. When the EXT pump rotational speed has fallen to below 50% of full rotational speed, turn the manual vent-valve anticlockwise to open it. Ensure that the rate of pressure rise does not exceed the allowed rate of pressure rise, otherwise you can damage the pump: refer to Sections 1.3 and 2.3.
3. If water-cooling is in use, turn off the cooling-water supply.

4.4 Safety interlocks and control system

Note: The EXDC Drive Module does not provide the features described below. If you use an EXDC Drive Module to control the EXT pump, we recommend that you monitor the pump speed output and shut down the EXT pump when the pump speed is too high or too low: refer to the EXDC Drive Module instruction manual for full details.

The EXC Controller pump protection and safety interlock features are listed below. Refer to the instruction manual supplied with the EXC Controller for a full description of these features :

- The EXC Controller monitors the temperature of the EXT pump and the electrical power consumption of the pump. If the EXC Controller detects excessive power consumption or temperature, the rotational speed of the pump motor is reduced until the power and temperature return to normal
- If the rotational speed is reduced to 50% of nominal speed, then the pump is stopped immediately (or after a user defined time delay) and the Fail LED on the EXC Controller lights
- If pump rotational overspeed is detected by the EXC Controller, the pump is stopped immediately and the FAIL LED on the EXC Controller lights.

If the Fail LED lights, switch off the backing-pump immediately and vent the EXT pump. Once the EXT pump has stopped, rectify the cause of the failure (refer to Section 5.5), press the EXC Controller Start/Stop button to reset the Fail condition, and restart the EXT pump. If the pump is hot, allow sufficient time for it to cool before you restart it.

4.5 Bakeout

CAUTION

When you bake the EXT pump to above 70 °C at the inlet-flange, you must cool the pump by water-cooling, to prevent damage to the bearing lubricant.

If you heat your EXT pump (and your vacuum system), you will speed up the degassing process so that the pump will reach ultimate vacuum in the shortest possible time. If you heat the pump, this will also prevent condensation of vapours inside the pump.

You can use the BOC Edwards BX bakeout band to heat the pump (refer to Section 7). Fit the band around the pump, just below the inlet-flange. When you bake the pump or the system, make sure that the temperature of the inlet-flange does not exceed 100 °C.

If you bake your vacuum system and the temperature of the system exceeds 200 °C, you must put a radiation shield between the system and the EXT pump. This radiation shield will reduce the heat radiated onto the pump rotor.

Typically, a bakeout of four hours is long enough to remove water condensation from the pump. However, the bakeout time will depend on the amount of condensation in the pump and the vacuum system, and the ultimate pressure you want to achieve.

5 MAINTENANCE

WARNING

Allow the pump-rotor to stop, then disconnect the EXC Controller or EXDC Drive Module from the pump before you remove the pump from your vacuum system for maintenance or fault-finding procedures.

5.1 Introduction

The maintenance operations for the EXT Turbomolecular pumps are described in the following sections. The ISX inlet-screen, the WCX water-cooler, the inlet-strainer and inlet-flange seals are available as spares (refer to Section 7). Fit the ISX inlet-screen as described in Section 3.3.1. Fit the WCX water-cooler as described in Section 3.7.3.

5.2 Bearing life

When supplied, the pump contains sufficient lubricant to supply the bearings for life. No routine maintenance is therefore required between bearing replacements. The bearings are not user-serviceable. The bearings will need to be replaced when they reach the end of their service life. This is typically more than 20,000 hours, but may be less; this depends on the type of pumping duty on which the pump is used.

When the bearings need replacement, we recommend that you exchange your pump for a factory reconditioned replacement. Alternatively, you can send your pump to a BOC Edwards Service Centre to have the bearings replaced.

When you return EXT pumps to BOC Edwards Service Centres please use the procedure included at the end of this manual. However, the instruction to drain all fluids does not apply to the lubricant in the EXT pump oil-reservoirs.

5.3 Rotor life

The life of the EXT pump rotor is typically 40,000 to 50,000 cycles (of acceleration to full speed, and then deceleration to a stop). The pump rotor is not user-serviceable.

We therefore recommend that you exchange your pump for a factory reconditioned replacement every 20,000 cycles, or 10 years of use, whichever occurs first. Alternatively, you can send your pump to a BOC Edwards Service Centre for a major service (which will include rotor replacement).

When you return EXT pumps to BOC Edwards Service Centres please obey the procedure included at the end of this manual. However, the instruction to drain all fluids does not apply to the lubricant in the EXT pump oil-reservoirs.

5.4 Clean the pump

WARNING

Clean the external surfaces of the EXT pump in a well-ventilated location. When you use cleaning solutions and solvents to clean the pump, observe all precautions specified by the manufacturer. Avoid inhalation of any particulates which may be present in the pump.

CAUTION

Do not attempt to clean any parts of the EXT pump other than the external surfaces. Organic solvents may damage internal pump components. Do not use abrasive materials to clean any part of the pump.

If the inside of the EXT pump is contaminated, it may not be possible to achieve the specified ultimate vacuum, or pump-down time may increase. In these circumstances, you should return the pump to a BOC Edwards Service Centre, where the pump will be dismantled and cleaned. Use the procedure given in the forms at the end of this manual to return the pump.

You can use any organic solvent to clean the external surfaces of the EXT pump. We recommend that you use non-CFC solvents, such as isopropanol or ethanol. Use a cleaning solution which is suitable for the contaminants on the pump surfaces.

For environmental reasons, keep wastage of cleaning solutions and solvents to a minimum.

5.5 Fault finding

Refer to Table 6 for the possible causes of faults and for the recommended actions to rectify faults. Table 6 is applicable to a basic, manually controlled pumping system with an EXC Controller configured for local (manual) operation.

Note that if you use an EXDC Pump Drive Module to control the EXT pump, or if you use an EXC Controller configured for remote operation to control the EXT pump, some of the checks and actions in Table 6 may not apply to your system.

Refer to the fault finding section of the instruction manual supplied with your EXDC Pump Drive Module or EXC Controller for further fault finding information.

Symptom	Check	Action
The pump does not rotate. After pressing start - Fail LED not lit.	<p>Is the EXC Controller power LED lit ?</p> <p>Is the EXC Controller Start/Stop LED flashing ?</p> <p>Is the EXC Controller first speed indication LED lit ?</p>	<p>If not, check that the electrical supply is on, check that the switch at the rear of the EXC Controller is on, check the fuse in the rear of the EXC Controller.</p> <p>If all of the above are OK then the EXC Controller is faulty. Consult BOC Edwards or your supplier</p> <p>If so, check that the correct links are made on the EXC Controller logic interface (refer to the instruction manual supplied with the EXC Controller).</p> <p>Check that any system interlocks are correctly made (refer to the instruction manual supplied with the EXC Controller).</p> <p>Check that the pump-to-controller cable is connected.</p> <p>If you have made all of the above checks and cannot identify the cause of the fault, consult BOC Edwards or your supplier.</p> <p>If not, the EXC Controller is faulty. If lit, then the EXT pump is faulty. Consult BOC Edwards or your supplier.</p>
The EXC Controller trips into Fail - at any speed.	Are the system interlocks correctly connected ?	Ensure that the system interlocks do not open after the EXT pump has started.
The EXC Controller trips into Fail during the ramp-up and before 50% speed is reached.	Is the inlet pressure too high ?	If so, reduce the pumping load, or check for a gross leak into the system.

Table 6 - Fault finding

Symptom	Check	Action
The EXC Controller trips into Fail during the ramp-up and before 50% speed is reached (continued).	<p>Is the EXT pump running too hot ?</p> <p>Does the rotor rotate freely ?</p> <p>Is the timer set incorrectly ?</p>	<p>Increase the cooling-water flow or decrease the water temperature or do both. You may need to change from air-cooling to water-cooling. (Refer to Section 2 for maximum inlet pressure and cooling requirements). Check that external heat sources (such as system bakeout heaters) are not excessive.</p> <p>If not, the EXT pump-bearings are damaged. Consult BOC Edwards or your supplier.</p> <p>Increase the timer setting (refer to the instruction manual supplied with the EXC Controller). If the EXC Controller still trips into Fail consult BOC Edwards or your supplier.</p>
The EXC Controller trips into Fail after 50% speed has been reached - the first two speed LEDs are lit.	Is the pressure too high ?	<p>If so, reduce the pumping load or check for a gross leak into the system.</p> <p>If the high gas load is temporary, configure the EXC Controller to delay the Fail trip on 50% speed and set an appropriate delay time (refer to the instruction manual supplied with the EXC Controller).</p>
The EXC Controller trips into Fail after 50% speed has been reached - the first two speed LEDs are lit (continued).	<p>Is the EXT pump running too hot ?</p> <p>Does the EXT pump rotor rotate freely ?</p>	<p>Increase the cooling-water flow or decrease the water temperature or do both. You may need to change from air-cooling to water-cooling.</p> <p>If not, the EXT pump-bearings are damaged. Consult BOC Edwards or your supplier.</p>
The EXC Controller trips into Fail - all the speed LEDs are lit.	-	Consult BOC Edwards or your supplier.
Ultimate pressure cannot be reached.	Is the pressure limited by water vapour ?	Bake the system and pump.

Table 6 - Fault finding (continued)

Symptom	Check	Action
Ultimate pressure cannot be reached (continued).	<p>Are any of the vacuum gauges contaminated ?</p> <p>Is the pumping speed insufficient (due to poor conductance between the pump and the gauge or too large a chamber) ?</p> <p>Is the interstage inlet pressure > 0.5 mbar (50 Pa) ?</p> <p>Is the backing pressure < 10 mbar (1×10^3 Pa) for the EXT70H/Hi, or < 5 mbar (5×10^2 Pa) for the EXT250H/Hi ?</p> <p>Is the high-vacuum area of the system contaminated ?</p> <p>Check the rest of your system for leaks and contamination.</p> <p>Remove the pump from the system and test the ultimate pressure of the pump alone (see Section 2 for specification).</p>	<p>If so, clean or replace them.</p> <p>Increase the conductance or reduce the volume.</p> <p>If the interstage inlet pressure is too high, inlet pressure at the turbomolecular inlet is reduced; ensure that the interstage inlet pressure is < 0.5 mbar (50 Pa).</p> <p>If not, check for backing pipeline leaks. If the throughput is high, you may need a larger backing-pump.</p> <p>If so, clean the high-vacuum system.</p> <p>If found, clean the contaminated areas and repair the leaks.</p> <p>If poor, check the pump for contamination and if necessary return the pump as described in Section 5.4. Leak-check the pump. If the leak rate > 1×10^{-7} mbar l s⁻¹ (1×10^{-5} Pa l s⁻¹) consult BOC Edwards or your supplier.</p>
The EXT is very noisy or there is excessive vibration or both.	<p>Is the pump rotational speed the same as the resonant frequency of the attached system ?</p> <p>Is the vibration being transmitted from the rotary pump ?</p> <p>Is the noise irregular and getting progressively worse ?</p>	<p>If so, change the natural frequency of your system or isolate the pump using flexible bellows.</p> <p>If so, fit flexible bellows or a vibration isolator in the backing line.</p> <p>If so, a bearing is defective. Consult BOC Edwards or your supplier.</p>

Table 6 - Fault finding (continued)

Symptom	Check	Action
The EXT is very noisy or there is excessive vibration or both (continued).	Is the EXT making a constant high-pitched noise ?	If so, the rotor is out of balance. Consult BOC Edwards or your supplier.
None of the above.	-	Consult BOC Edwards or your supplier.

Table 6 - Fault finding (continued)

6 STORAGE AND DISPOSAL

6.1 Storage

Use the following procedure to store the pump.

1. Place protective covers over the inlet, outlet, interstage*, purge[†] and vent ports.
2. Place the pump in its packing materials. For fastest pump-down when the pump is put back into service, seal the pump inside a plastic bag together with a suitable desiccant.
3. Store the pump in cool, dry conditions until required for use. When required, prepare and install the pump as described in Section 3.
4. Keep the pump upright at all times to prevent the drainage of oil from the bearing reservoir.
5. Avoid long-term storage if possible. When long-term storage is necessary, the pump should be set up and run for at least eight hours every six months.

6.2 Disposal

Dispose of the EXT Turbomolecular Pump and any components and accessories safely in accordance with all local and national safety and environmental requirements.

Take particular care with any components which have been contaminated with dangerous process substances.

Do not incinerate the pump. The pump contains phenolic and fluorosilicone materials which can decompose to very dangerous substances when heated to high temperatures.

* EXT70Hi and EXT250Hi pumps only.

† EXT250H and EXT250Hi pumps only.

7 SERVICE, SPARES AND ACCESSORIES

7.1 Introduction

BOC Edwards products and spares are available from BOC Edwards companies in Belgium, Brazil, China, France, Germany, Israel, Italy, Japan, Korea, Singapore, United Kingdom, U.S.A and a world-wide network of distributors. The majority of these centres employ Service Engineers who have undergone comprehensive BOC Edwards training courses.

Order spare parts and accessories from your nearest BOC Edwards company or distributor. When you order, please state for each part required:

- Model and Item Number of your equipment
- Serial number (if any)
- Item Number and description of the part

7.2 Service

BOC Edwards products are supported by a world-wide network of BOC Edwards Service Centres. Each Service Centre offers a wide range of options including: equipment decontamination; service exchange; repair; rebuild and testing to factory specifications. Equipment which has been serviced, repaired or rebuilt is returned with a full warranty.

Your local Service Centre can also provide BOC Edwards engineers to support on-site maintenance, service or repair of your equipment.

For more information about service options, contact your nearest Service Centre or other BOC Edwards company.

7.3 Spares

7.3.1 ISX inlet-screen

An inlet-screen is fitted to your pump as supplied to prevent damage from the entry of debris into the pump. The Item Numbers of replacement inlet-screens are given below. Select the inlet-screen according to the pump inlet-flange size. You cannot replace the inlet-screen on a pump with an NW inlet-flange.

Flange size	Inlet-screen	Item Number
DN63ISO-K/DN63CF	ISX63	B580-51-005
DN100ISO-K/DN100CF	ISX100	B580-51-001

7.3.2 Inlet-strainer (EXT250Hi pump only)

The EXT250Hi pump is supplied with an inlet-strainer for the interstage-port. The Item Number of a replacement inlet-strainer is given below.

Flange size	Item Number
DN25ISO-K	A223-05-067

7.3.3 WCX water-cooler

A water-cooler is fitted to your pump as supplied. The Item Number of a replacement water-cooler is given below.

Water-cooler	Item Number
WCX500	B736-00-121

7.3.4 Inlet-flange seals

EXT pumps are supplied with an inlet seal. The Item Numbers of replacement seals are given below.

Inlet-flange	Inlet seal	Item Number
DN63ISO-K	ISO63 trapped 'O' ring (fluoroelastomer)	B271-58-170
DN40NW	DN40NW Co-Seal (fluoroelastomer)	B271-58-453
DN100ISO-K	ISO100 trapped 'O' ring, fluoroelastomer	B271-58-171
DN63CF	63CF copper compression gasket (pack of 5)	C081-00-003
DN100CF	100CF copper compression gasket (pack of 5)	C082-00-003

7.4 Accessories

7.4.1 Installation

The accessories available for use with the EXT turbomolecular pumps are described in the following Sections. Figure 9 shows how the accessories are fitted to an EXT pump.

7.4.2 EXC Controller

The BOC Edwards EXC Controllers provide the facilities necessary for operating a pumping system based on an EXT70H/Hi or EXT250H/Hi pump. The Item Numbers of the EXC Controllers are given below.

Controller	Voltage	Item Number
EXC100E	90 - 264 V a.c.	D396-20-000
EXC100L	90 - 264 V a.c.	D396-22-000
EXC120	90 - 264 V a.c.	D396-16-000
EXC300	90 - 132/180 - 264 V a.c.	D396-14-000

7.4.3 Pump-to-controller cable

You must fit a pump-to-controller cable between an EXC Controller and the EXT pump. A cable is not supplied with the EXT Pump or the EXC Controller. The following cables are available:

Cable	Length	Item Number
Pump-to-controller	1 m	D396-18-010
Pump-to-controller	3 m	D396-18-030
Pump-to-controller	5 m	D396-18-050

7.4.4 EXDC Drive Modules

Fit an EXDC Drive Module as an alternative to an EXC Controller and pump-to-controller cable.

Drive Module	Item Number
EXDC80	D396-40-000
EXDC160	D396-41-000

7.4.5 BX bakeout band

A BX bakeout band accelerates the degassing of the pump to enable it to achieve lower pressures. It may also be used to protect the pump from condensation of contaminants. The bakeout bands are available in 110-120 V or 220-240 V versions and may be powered from a rear panel socket on the EXC Controller.

Pump	Bakeout band	Item Number
EXT70H/Hi	BX70 (110 V)	B580-52-040
	BX70 (240 V)	B580-52-060
EXT250H/Hi	BX250 (110 V)	B580-52-041
	BX250 (240 V)	B580-52-061

7.4.6 FL20K foreline trap

The foreline trap minimises oil vapour backstreaming from the backing pump and is recommended where the highest system cleanliness is required.

Foreline trap	Item Number
FL20K	A133-05-000

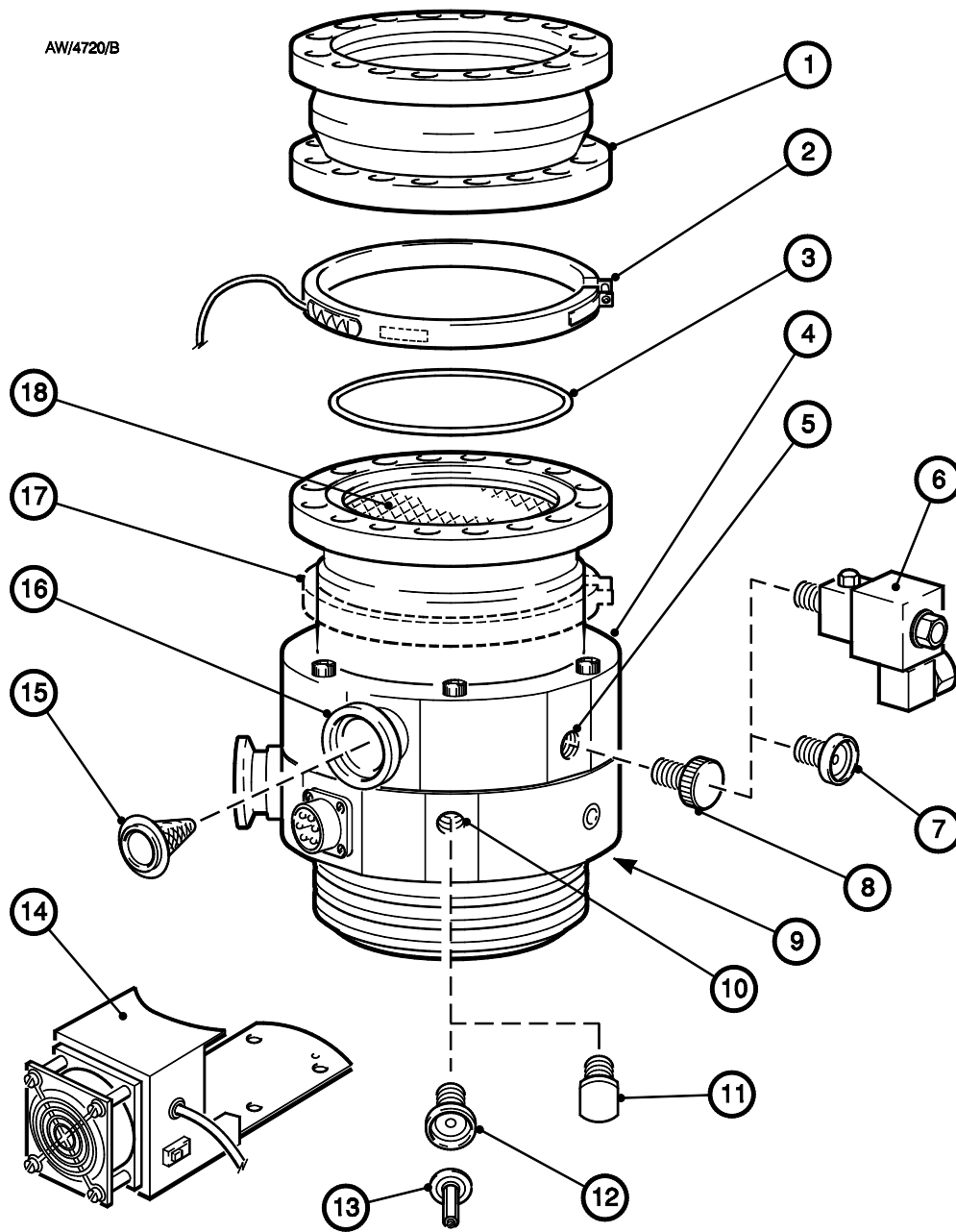
7.4.7 TAV vent-valve and vent-port adaptor

Two solenoid-operated vent-valves are available for system venting. The valves are 24 V d.c., normally-open, and can be driven automatically from the EXC Controller. The solenoid-valve is fitted in place of the manual-valve, or alternatively can be fitted with an adaptor (supplied with the valve) and be used with any suitable NW10 flanged port on your vacuum system.

The vent-port adaptor allows the vent-port (or the purge-port, on EXT250H pumps) to be used with any suitable NW10 fitting: see Figure 9, item 7.

Product	Item Number
TAV5 vent-valve	B580-66-010
TAV6 vent-valve	B580-66-020
Vent-port adaptor	B580-66-011

AW/4720/B



- | | | |
|---------------------------------|--|---------------------------------|
| 1. Vibration isolator | 7. Vent-port adaptor | 13. Purge restrictor |
| 2. Bakeout band | 8. Manual vent-valve (supplied) | 14. Air-cooler |
| 3. Inlet-flange seal (supplied) | 9. Water-cooler (on opposite side of the pump) | 15. Inlet-strainer (supplied) * |
| 4. EXT250Hi pump | 10. Purge-port | 16. Interstage-port * |
| 5. Vent-port | 11. Purge-plug (supplied) | 17. Bakeout band position |
| 6. Solenoid vent-valve | 12. Vent-port adaptor | 18. Inlet-screen (supplied) |

* EXT250Hi pump only

Figure 9 - Installation of optional accessories (and spares): EXT250Hi shown

7.4.8 ACX air-cooler

An ACX air-cooler can be fitted to the EXT pump. However, please refer to Section 3 to check the suitability of air-cooling in a particular application.

Pump	Air-cooler	Item Number
EXT70H/Hi	ACX70	B580-53-050
EXT250H/Hi	ACX250H	B580-53-160

7.4.9 Vibration isolators

In applications where the small amount of vibration generated by the turbomolecular pump is a problem, a vibration isolator can be fitted. The isolator consists of two special flanges separated by a flexible bellows and a rubber, anti-vibration, outer collar. The isolator required depends on the pump inlet-flange size.

Inlet-flange size	Item Number
DN63ISO-K	B581-15-000
DN63CF	B581-01-000
DN100ISO-K	B581-20-000
DN100CF	B581-05-000

7.4.10 PRX purge-restrictor

The PRX10 is a modified DN10NW centring-ring which filters the purge gas and restricts its flow rate to the recommended flow of 25 sccm. The restrictor is suitable for all EXT pumps fitted with a purge-port.

Note that you must fit a vent-port adaptor (see Section 7.4.7) to the purge-port on an EXT250H or EXT250Hi pump, in order to connect the purge restrictor to the pump.

Purge-restrictor	Flange size	Item Number
PRX10	NW10	B580-65-001

7.4.11 VRX vent-restrictor

Use a VRX fixed orifice vent-restrictor to restrict the flow of vent gas into the EXT pump. You can fit a VRX vent-restrictor to the inlet of a TAV5 or TAV6 vent-valve or to a PRX10 purge-restrictor. Refer to Section 3.4 for information on the selection of the correct VRX vent-restrictor.

Vent-restrictor	Orifice diameter (mm)	Item Number
VRX10	0.1	B580-66-021
VRX20	0.2	B580-66-022
VRX30	0.3	B580-66-023
VRX50	0.5	B580-66-024
VRX70	0.7	B580-66-025

7.4.12 EXT70H/ISO63 interstage-port accessory kit

On the EXT70H/ISO63 pump, the interstage-port in the pump-envelope is blanked off. You can remove the blanking cap and fit the interstage-port accessory to upgrade the pump to an EXT70Hi pump, so that you can use the interstage-port of the pump as described in Section 3.3.6.

The accessory kit consists of an 'O' ring and a flange; the flange has an inlet strainer to prevent the entry of debris into the pump. To fit the accessory:

- Use a suitable pin-spanner to remove the blanking plug from the interstage-port. The holes in the blanking plug are 3.2 mm in diameter, and the centres of the holes are 14 mm apart.
- Fit the 'O' ring supplied, then use a 27 mm diameter 'C' spanner to screw the flange into the interstage-port; the holes in the flange accessory are 3.2 mm in diameter.
- Tighten the flange sufficiently, to prevent the flange being loosened by vibration or stress transmitted from pipelines connected to the flange.

Accessory	Item Number
EXT70H/ISO63 interstage-port accessory kit	B580-69-001
Pin-spanner	B279-29-029
27 mm 'C' spanner	B279-29-028